



We still service equipment we built 50 years ago

The Peelle Company Ltd.

195 Sandalwood Parkway West, Brampton, Ontario, Canada L7A 1J6
Tel: (905)846-4545 • Fax: (905)846-2161 • www.peelledoors.com

November, 2008

TECHNICAL BULLETIN

EQUIPMENT MAINTENANCE

PREVENTATIVE ACTION REQUIRED

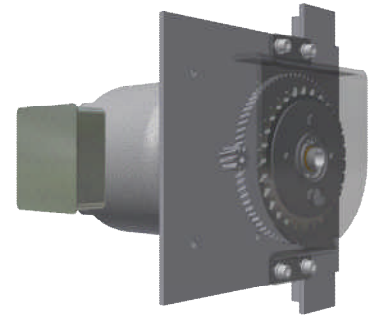


FIG 1. (2549 OPERATOR)

SUBJECT: 2549 GATE OPERATOR (USED ON DIFFERENTIAL GATES)

EQUIPMENT: PEELLE PART NUMBERS 2549L & 2549R (SEE FIG 1.)

DESCRIPTION: PEELLE HAS DISCOVERED THAT ANY SLACK IN THE DRIVE CHAIN THAT CONNECTS THE 2549 GATE OPERATOR TO THE 2544 SPROCKET ASSEMBLY (SEE FIG 2.) COULD CAUSE PREMATURE PINION AND GEAR WEAR TO THE 2549 OPERATOR ASSEMBLY.

ACTION: THE DRIVE CHAIN MUST BE TIGHT. IF THERE IS CURRENTLY SLACK IN THE DRIVE CHAIN, SHIM THE 2549 OPERATOR (SEE FIG 3.) TO ELIMINATE. IF SHIMS ARE REQUIRED, PLEASE CONTACT TANIA AT (905)846-4545 X218 AND THEY WILL BE SENT FREE OF CHARGE.

PEELLE HELP: SHOULD YOU REQUIRE TECHNICAL ASSISTANCE, PLEASE CALL FRANK LEO AT (905) 846-4545 x230 OR STEVE MULLEN AT x215.

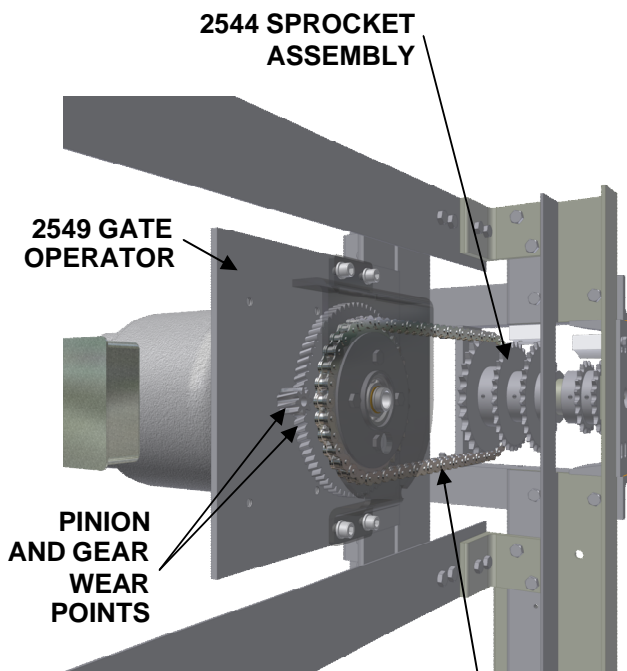


FIG 2.

**DRIVE CHAIN
MUST BE TIGHT!!**

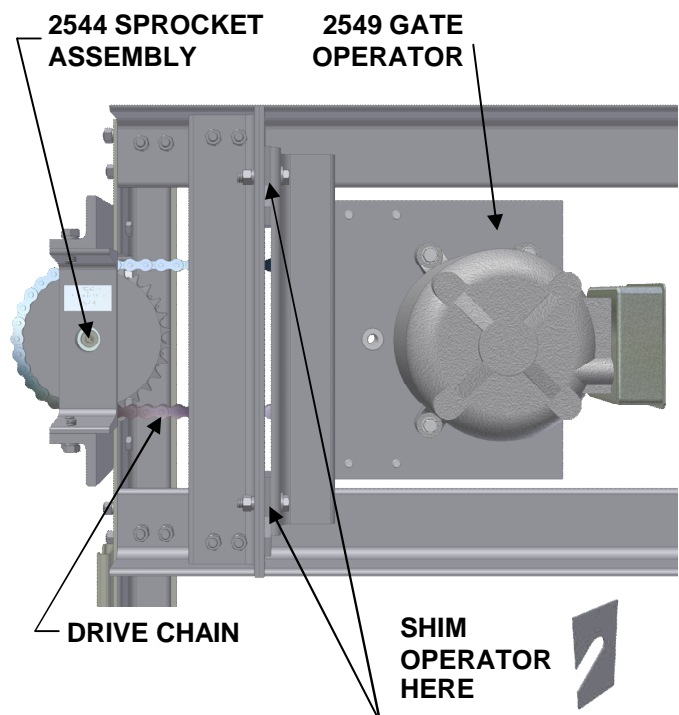


FIG 3.