

233-EN



STOP & GO LIGHTS INSTALLATION GUIDE

Kit #06022



THE PEELLE COMPANY

FREIGHT DOORS | CAR GATES | CAR ENCLOSURES

TECHNICAL SUPPORT 1-800-787-5020 ext 275

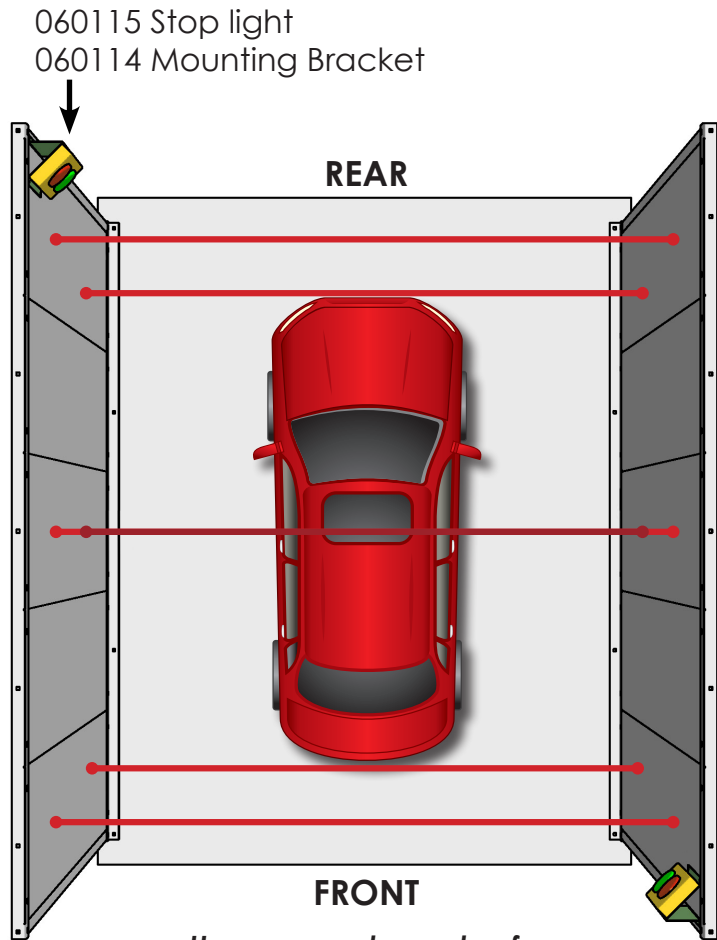
Guide No. 233-EN

STOP AND GO LIGHTS
INSTALLATION GUIDE

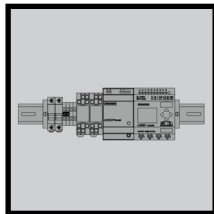
Date: March 19 / 2020

SYSTEM LAYOUT

Sensor Beams at front and rear of the car will indicate if you are too close to the car gate (or rear wall). Position accordingly.



Use same system setup for single line elevator

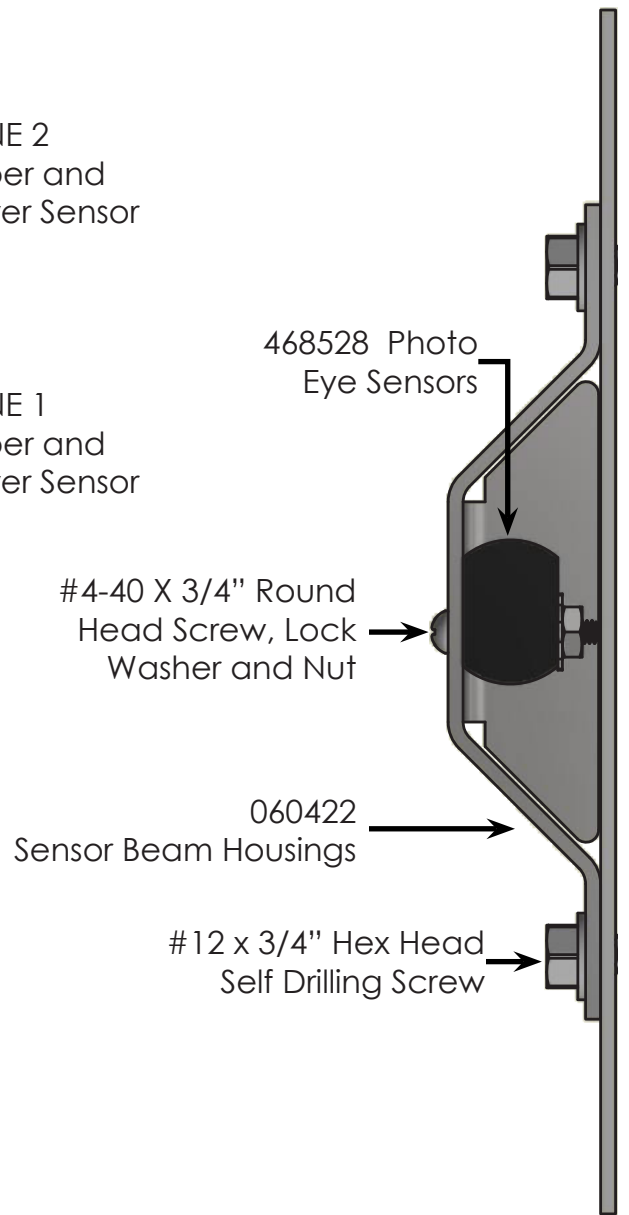


060223
Stop and Go Controller
Mount to top of car

ZONE 3
Upper and
Lower Sensor

ZONE 2
Upper and
Lower Sensor

ZONE 1
Upper and
Lower Sensor



THE PEELLE COMPANY

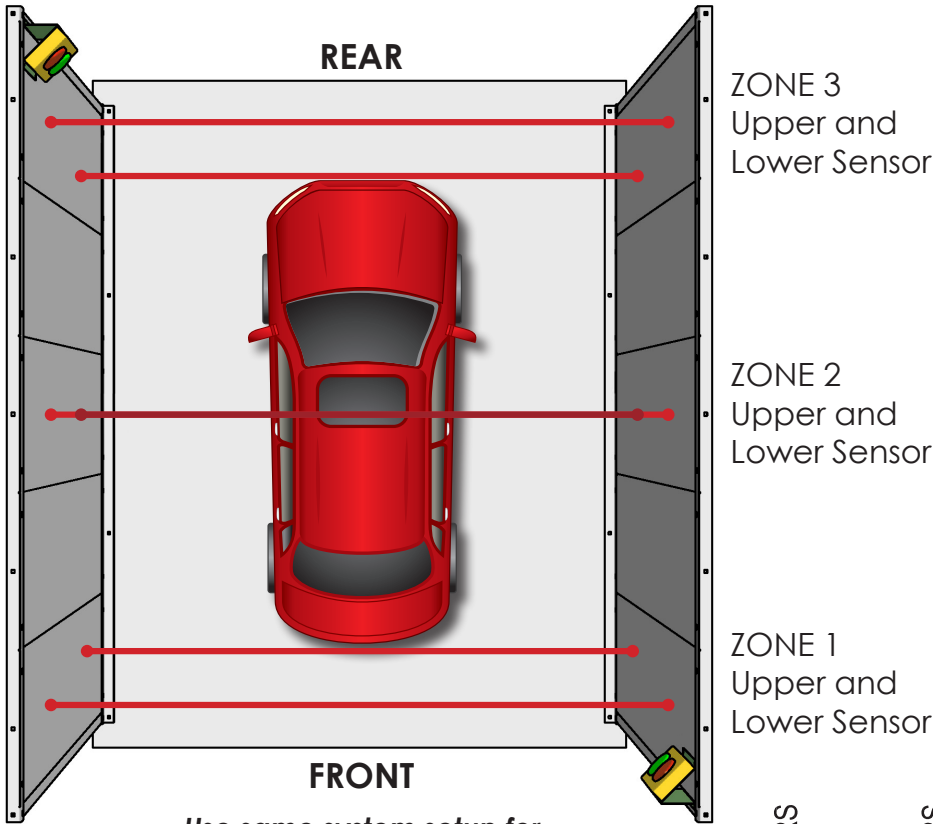
FREIGHT DOORS | CAR GATES | CAR ENCLOSURES
TECHNICAL SUPPORT 1-800-787-5020 ext 275

Guide No. 233-EN

STOP AND GO LIGHTS
INSTALLATION GUIDE

Date: March 19 / 2020

WIRING / FIELD CONNECTIONS - SENSORS



Use same system setup for single line elevator

ZONE 3
Upper and Lower Sensor

ZONE 2
Upper and Lower Sensor

ZONE 1
Upper and Lower Sensor

TO ALL SENSORS	TO ALL SENSORS	ZONE 1 LOWER	ZONE 1 UPPER	ZONE 2 LOWER	ZONE 2 UPPER	ZONE 3 LOWER	ZONE 3 UPPER
+24	+24	PEZ1L	PEZ1U	PEZ2L	PEZ2U	PEZ3L	PEZ3U
○	○	○	○	○	○	○	○
●	◐						
○	○	○	○	○	○	○	○
+24	+24	PEZ1L	PEZ1U	PEZ2L	PEZ2U	PEZ3L	PEZ3U

CONNECTIONS INSIDE AUX CONTROLLER 060223



THE PEELLE COMPANY

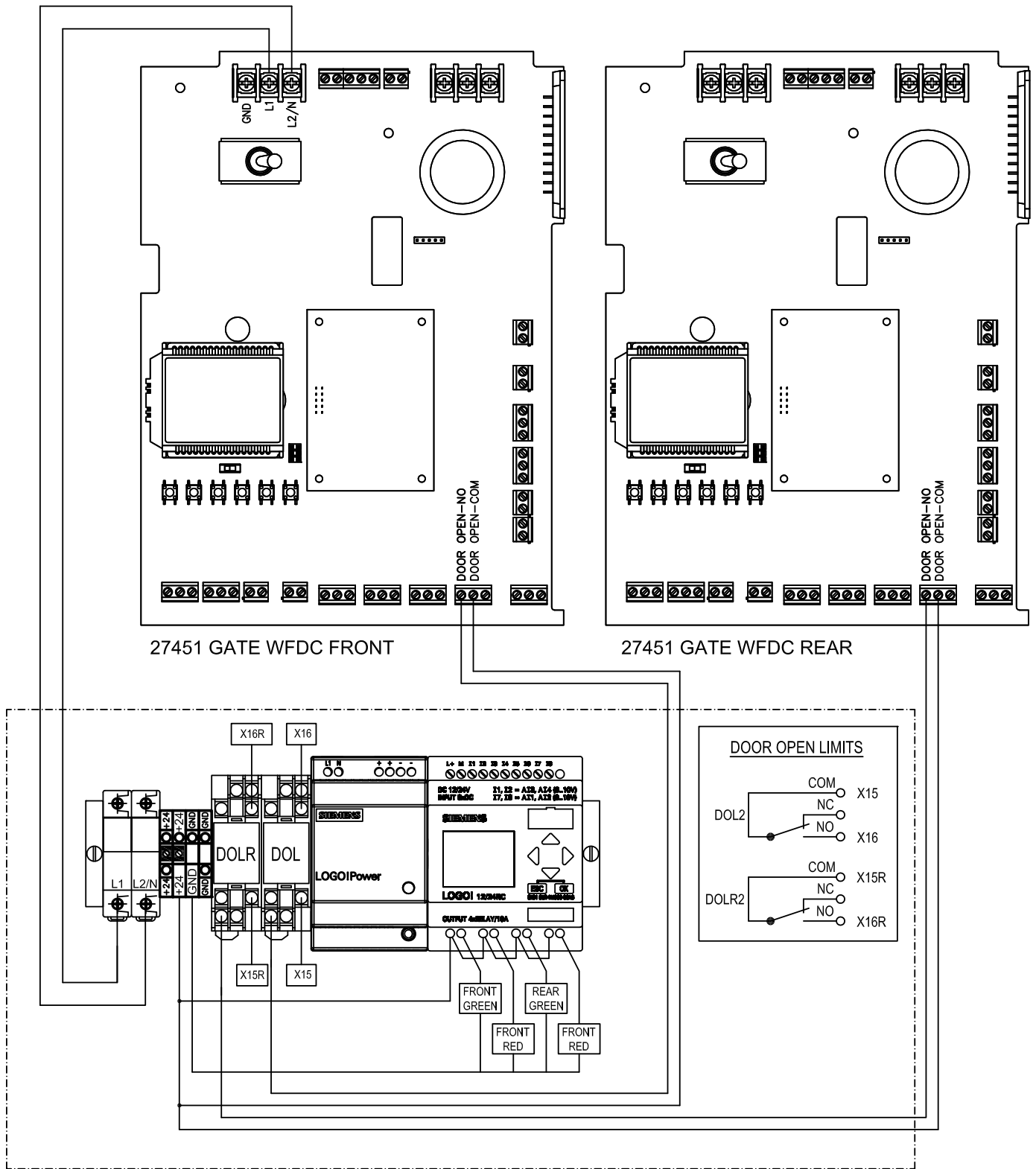
FREIGHT DOORS | CAR GATES | CAR ENCLOSURES
TECHNICAL SUPPORT 1-800-787-5020 ext 275

Guide No. 233-EN

STOP AND GO LIGHTS
INSTALLATION GUIDE

Date: March 19 / 2020

WIRING / FIELD CONNECTIONS - 2745 WFDC SLAVE/STD



060223 STOP AND GO CONTROLLER



THE PEELLE COMPANY

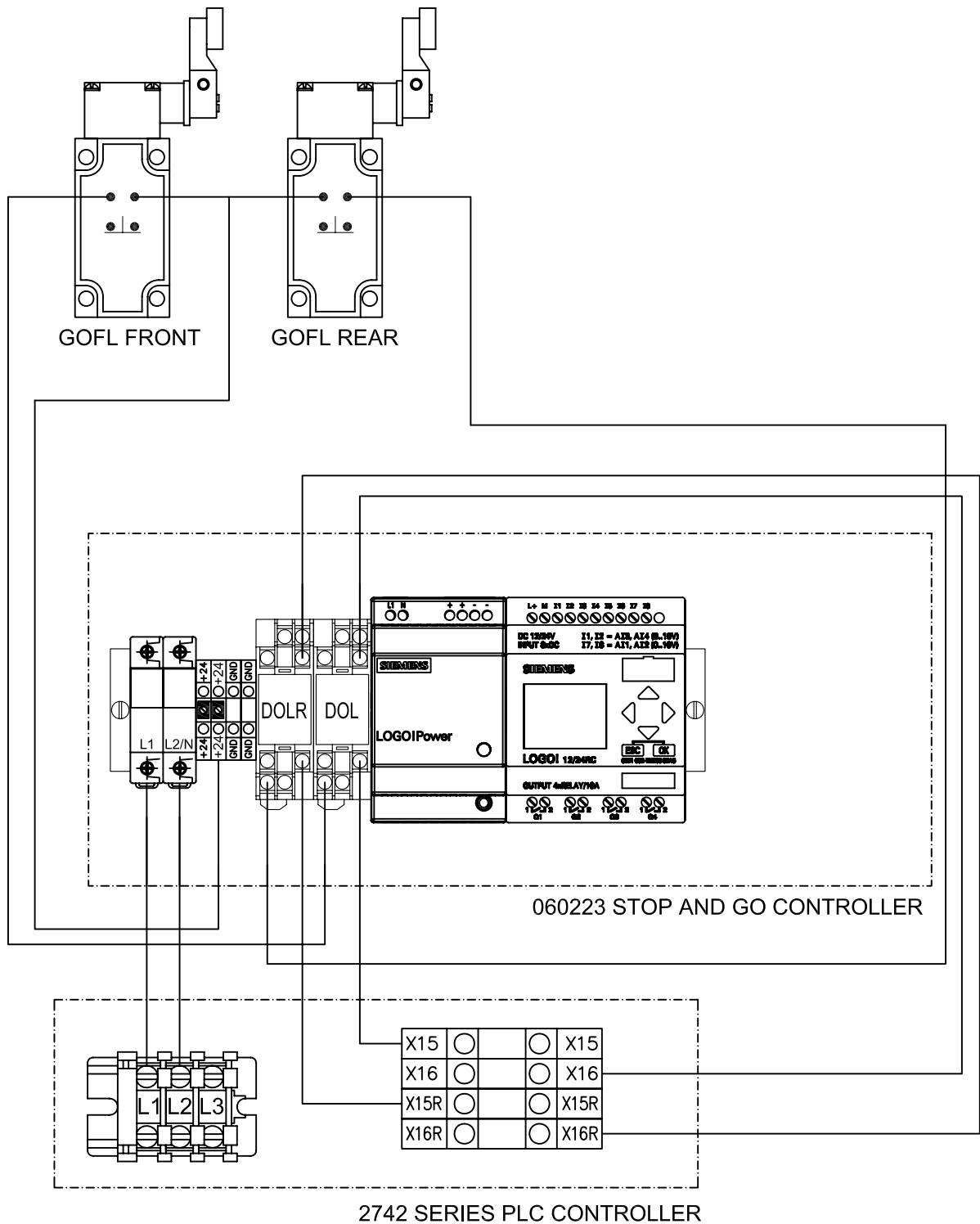
FREIGHT DOORS | CAR GATES | CAR ENCLOSURES
TECHNICAL SUPPORT 1-800-787-5020 ext 275

Guide No. 233-EN

STOP AND GO LIGHTS
 INSTALLATION GUIDE

Date: March 19 / 2020

WIRING / FIELD CONNECTIONS - 2742 SERIES PLC



THE PEELLE COMPANY

FREIGHT DOORS | CAR GATES | CAR ENCLOSURES

TECHNICAL SUPPORT 1-800-787-5020 ext 275

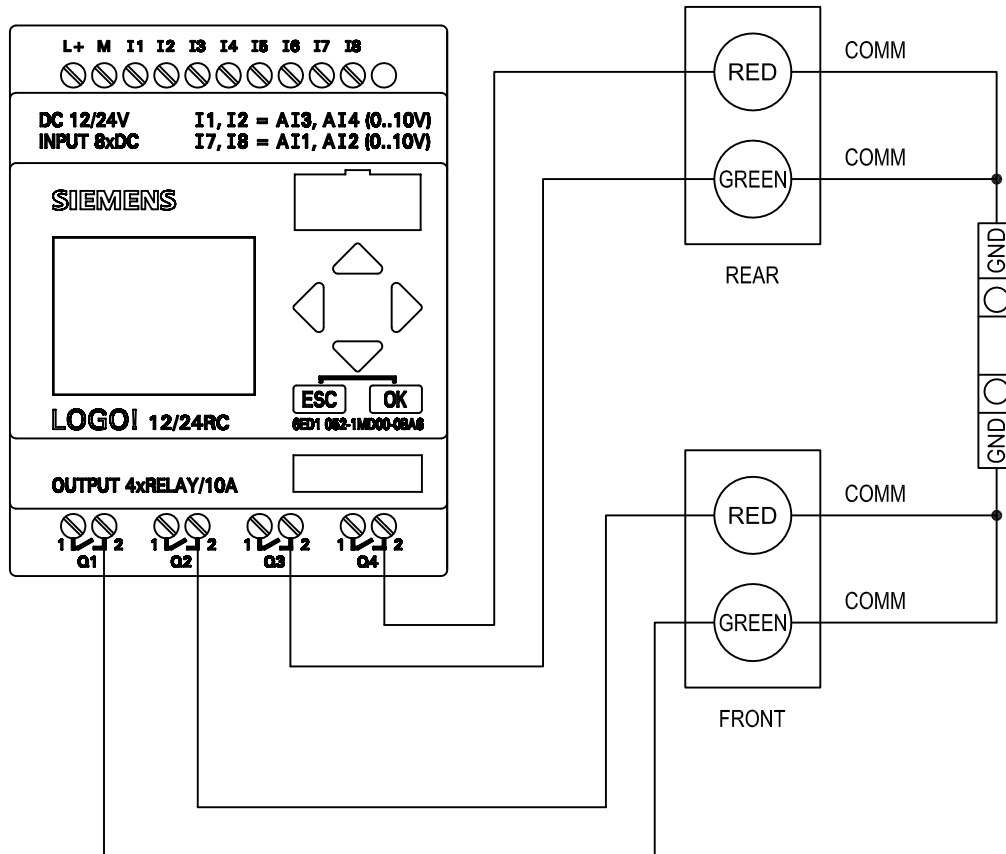
Guide No. 233-EN

STOP AND GO LIGHTS
INSTALLATION GUIDE

Date: March 19 / 2020

WIRING / FIELD CONNECTIONS - STOP AND GO LIGHTS

CONNECTIONS INSIDE AUX CONTROLLER 060223



THE PEELLE COMPANY

FREIGHT DOORS | CAR GATES | CAR ENCLOSURES

TECHNICAL SUPPORT 1-800-787-5020 ext 275

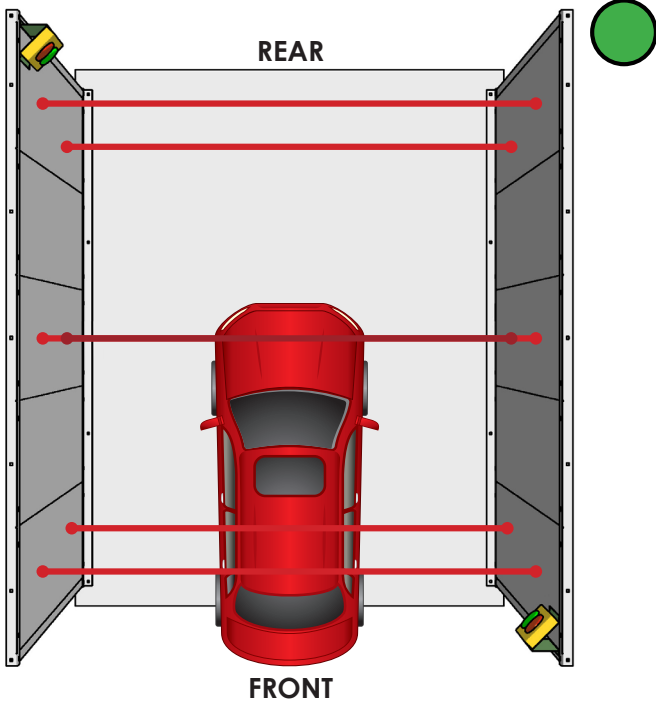
5

Guide No. 233-EN

STOP AND GO LIGHTS
INSTALLATION GUIDE

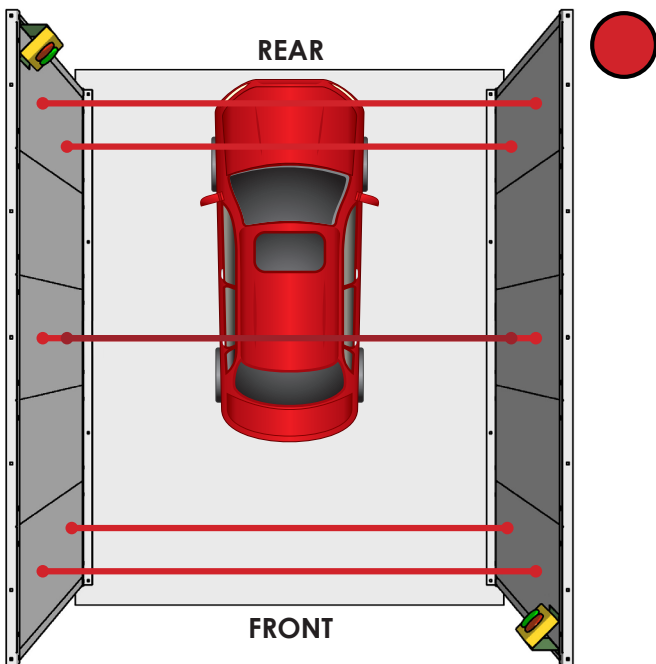
Date: March 19 / 2020

SYSTEM OPERATION / HOW TO USE



When car gate is fully open, the GREEN light will come on.

Proceed into the elevator.



Once the vehicle breaks the last set of beams the RED light will come on.

Stop your vehicle.

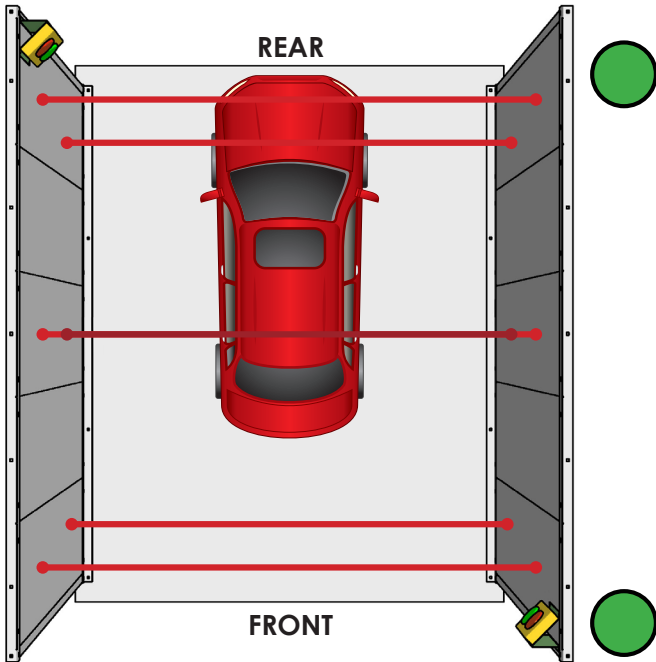


THE PEELLE COMPANY

FREIGHT DOORS | CAR GATES | CAR ENCLOSURES

TECHNICAL SUPPORT 1-800-787-5020 ext 275

SYSTEM OPERATION / HOW TO USE



When the elevator travels to new landing and the car gate is fully open, the GREEN light will come on.

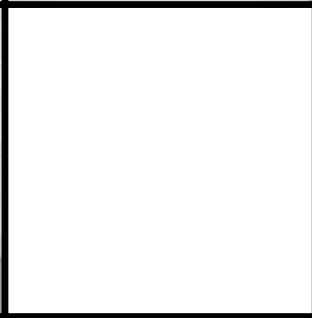
Proceed out of the elevator.



THE PEELLE COMPANY

FREIGHT DOORS | CAR GATES | CAR ENCLOSURES

TECHNICAL SUPPORT 1-800-787-5020 ext 275



THE PEELLE COMPANY

FREIGHT DOORS | CAR GATES | CAR ENCLOSURES
TECHNICAL SUPPORT 1-800-787-5020 ext 275

Guide No. 233-EN

STOP AND GO LIGHTS
INSTALLATION GUIDE

Date: March 19 / 2020