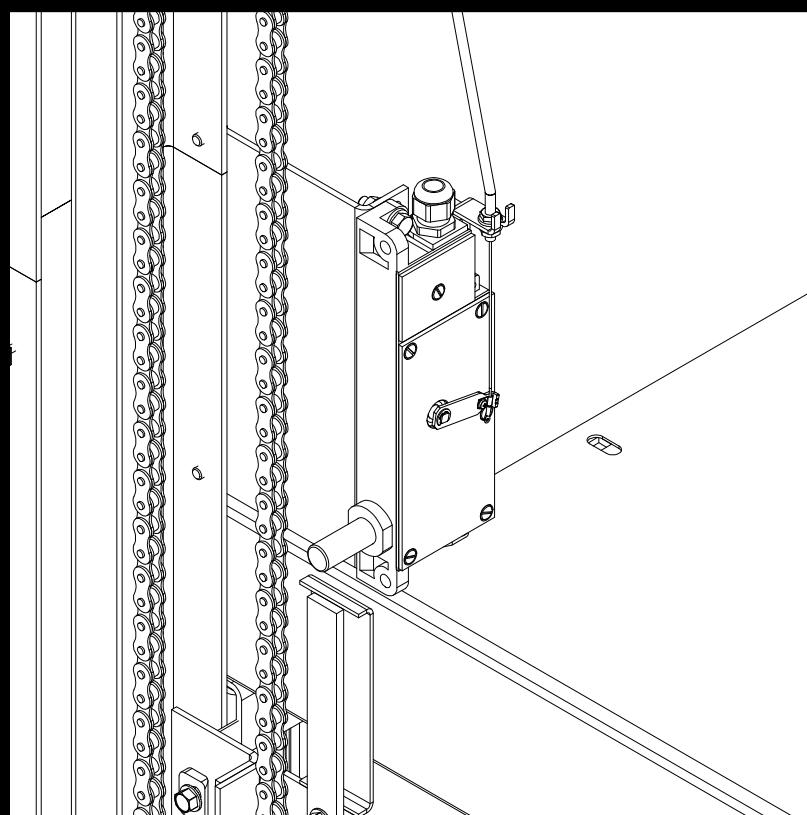


263-EN



GATE LOCK (KRONENBURG)

STANDARD ARRANGEMENT 2 SECTION CAR DOOR



THE PEELLE COMPANY

FREIGHT DOORS | CAR GATES | CAR ENCLOSURES

TECHNICAL SUPPORT 1-800-787-5020 ext 275

Guide No. 263-EN

GATE LOCK - KRONENBURG

Date: Nov 29 / 2021

Contents

1. FORWARD.....	1
2. CAR DOOR LOCK MOUNTING.....	2
3. PANEL LATCH AND PULL RING BRACKETS.....	3
4. PULL CABLE.....	4
5. PROTECTION COVER.....	5
6. INTERLOCK CONNECTIONS.....	6
7. WIRELESS CONTROLLER LAYOUT.....	7
8. WIRELESS CONTROLLER & BRIDGE LAYOUT.....	8
9. WIRELESS CONTROLLER & BRIDGE LAYOUT (TKE).....	9
10. PLC CONTROLLER LAYOUT.....	10



THE PEELLE COMPANY

FREIGHT DOORS | CAR GATES | CAR ENCLOSURES

TECHNICAL SUPPORT 1-800-787-5020 ext 275

Guide No. 263-EN

GATE LOCK - KRONENBURG

Date: Nov 29 / 2021

1. FORWARD

The following Installation Guide is for a standard Peelle product assembly. However, Peelle products are designed-built to suit many elevator conditions such as very large openings, limited elevator shaft dimensions, hoistway conditions and unique lift designs. Therefore special designs, arrangements or add-ons may not be covered in this manual. Refer to the installation drawings provided with your order for instructions on special components or arrangements.

If you have any questions, concerns or require further details regarding your installation please call 1 (905) 846-4545 x 275, please have your Peelle Job Number handy. A Peelle technical support expert will help you save time and keep the installation moving.

The kronenberg car door lock (CDL) restricts the opening of the car door when the elevator is not in a landing zone. When the elevator arrives at a landing and the landing door interlock is unlocked and zoned, power will be applied to the CDL to unlock the car door lock for opening operation (manually or by power). In the event of a power failure, the CDL system is equipped with a UPS power source to ensure the CDL will be unlocked when in a landing zone.



THE PELLE COMPANY

FREIGHT DOORS | CAR GATES | CAR ENCLOSURES

TECHNICAL SUPPORT 1-800-787-5020 ext 275

1

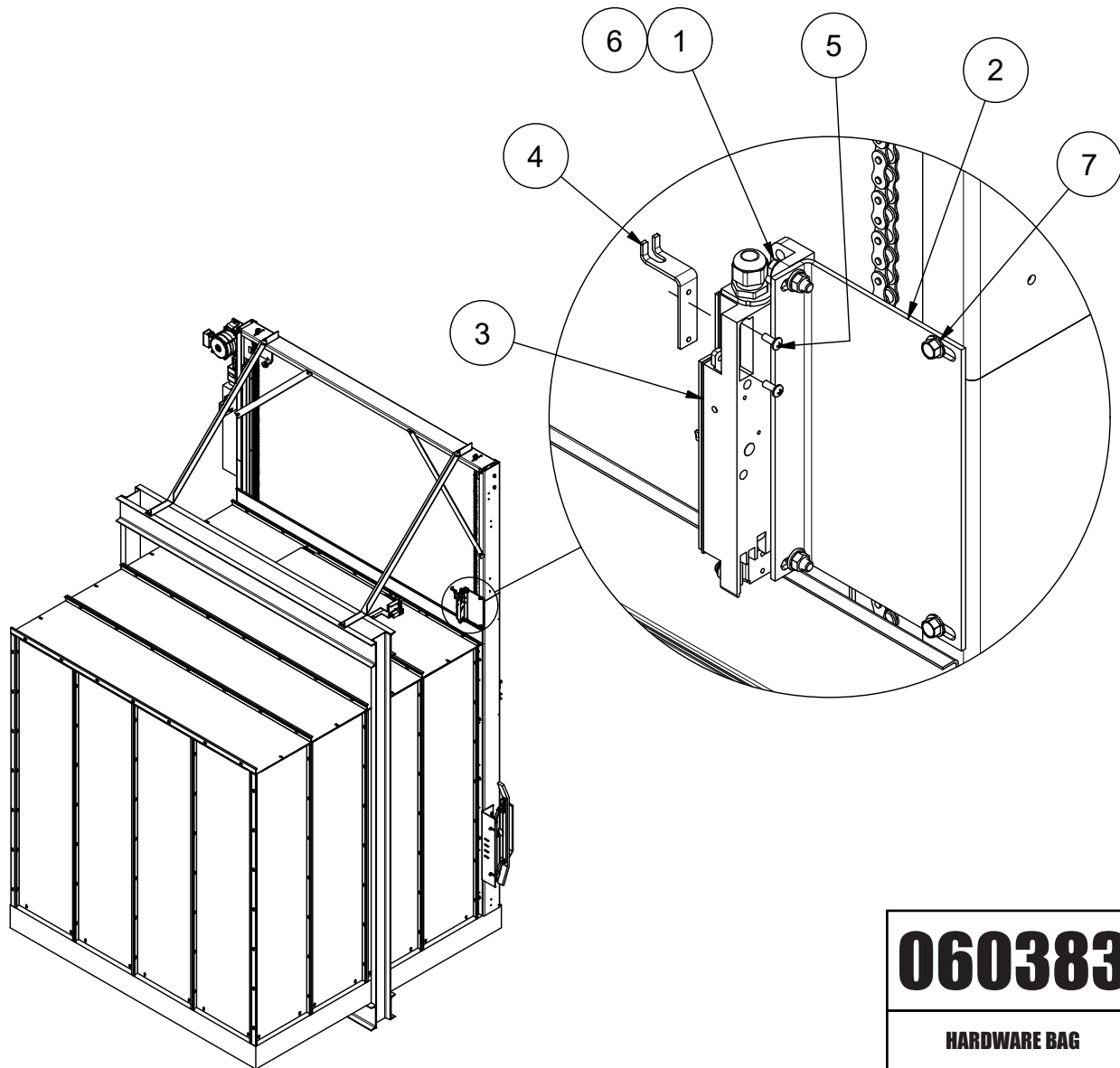
Guide No. 263-EN

GATE LOCK - KRONENBURG

Date: Nov 29 / 2021

2. CAR DOOR LOCK MOUNTING

770071-46



060383

HARDWARE BAG

7	2	800067	5/16-18 x 1/2" Lg FLANGED HEX HD BOLT ZP
6	2	1137339	5/16-18 SERRATED FLANGE HEX NUT Z
5	2	29048	#10-32 x 1/2" PH RH MACHINE SCREW Z
4	1	237613	TOP GUIDE BRACKET
3	1	2367	KRONENBURG LOCK
2	1	237619	MOUNTING BRACKET
1	2	110120326	5/16"-18 UNC x 1-1/4" Lg HEX HEAD BOLT ZP
ITEM	QTY	PART NO	DESCRIPTION



THE PELLE COMPANY

FREIGHT DOORS | CAR GATES | CAR ENCLOSURES

TECHNICAL SUPPORT 1-800-787-5020 ext 275

2

Guide No. 263-EN

GATE LOCK - KRONENBURG

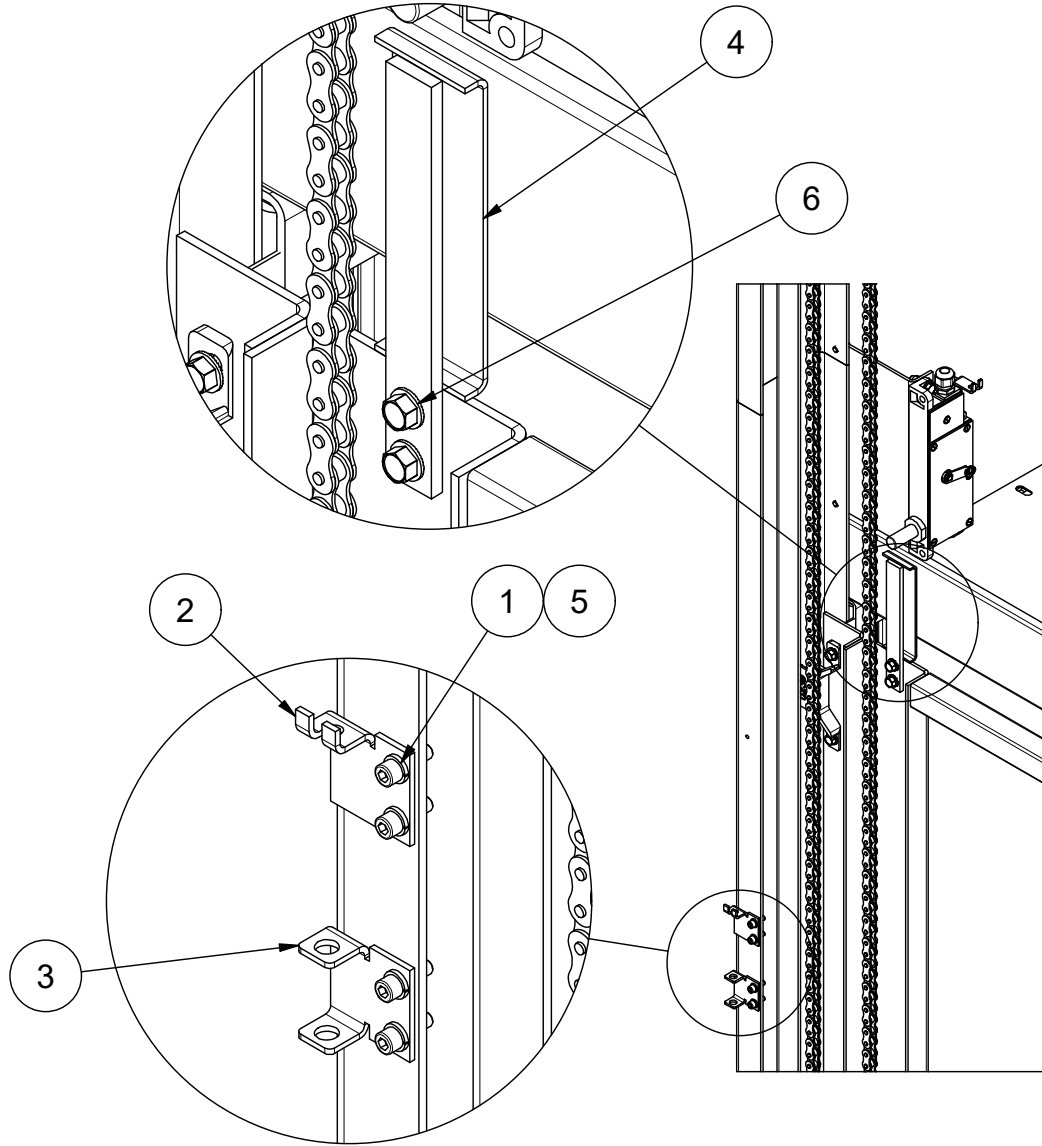
Date: Nov 29 / 2021

3. PANEL LATCH AND PULL RING BRACKETS

770071-44

060383

HARDWARE BAG



6	2	800067	5/16-18 x 1/2" Lg FLANGED HEX HD BOLT ZP
5	4	1123203	1/4-20 x 3/4 SOCKET CAP SCREW ZP
4	1	237618	LOCK ARM
3	1	237617	ROD GUIDE BRACKET
2	1	237614	BOTTOM GUIDE BRACKET
1	4	1133618	1/4 MEDIUM SPLIT LOCK WASHER Z
ITEM	QTY	PART NO	DESCRIPTION



THE PELLE COMPANY

FREIGHT DOORS | CAR GATES | CAR ENCLOSURES
TECHNICAL SUPPORT 1-800-787-5020 ext 275

3

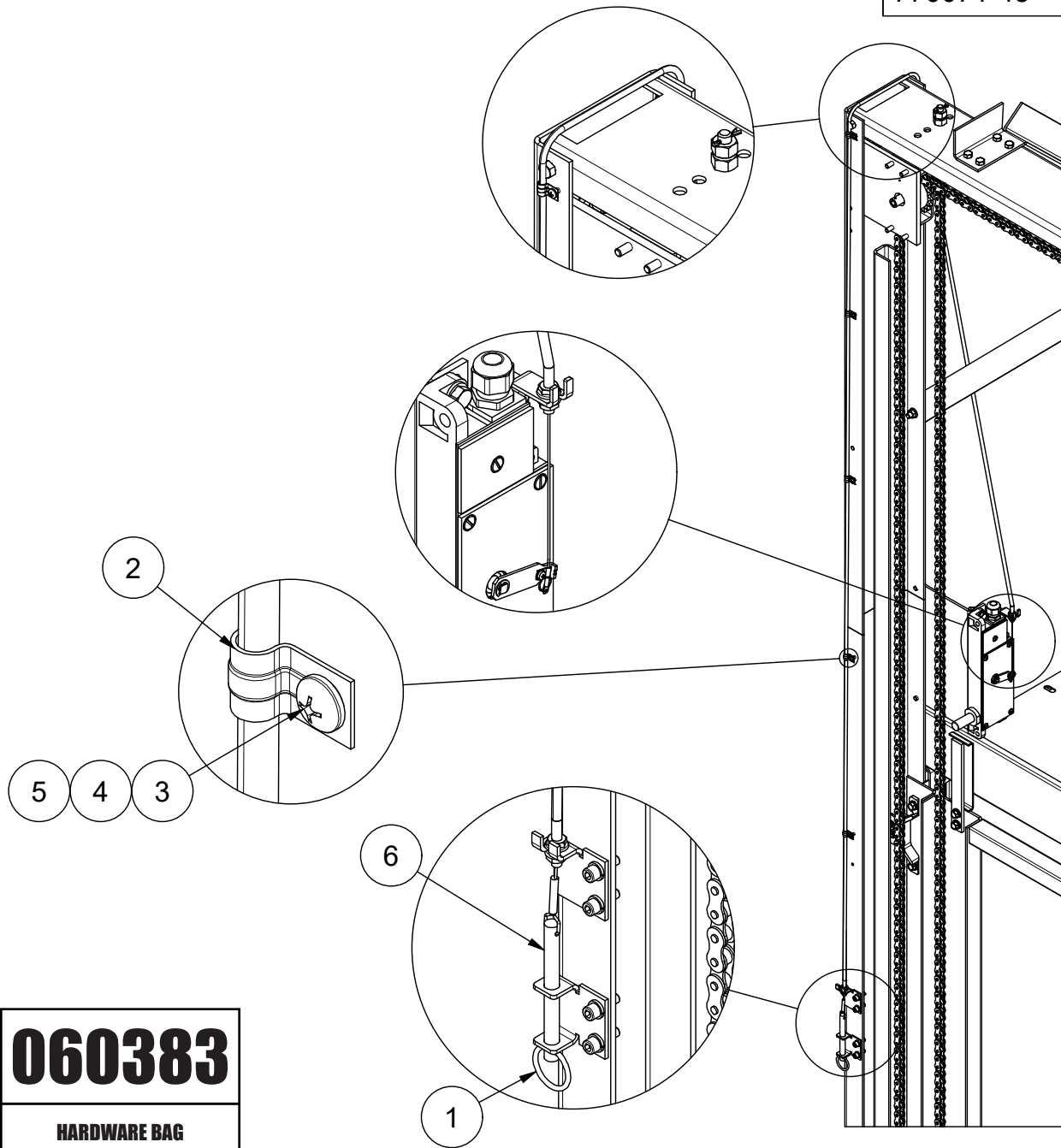
Guide No. 263-EN

GATE LOCK - KRONENBURG

Date: Nov 29 / 2021

4. PULL CABLE

770071-45



060383
HARDWARE BAG

6	1	237615	PUSH-PULL CABLE
5	A/R	1136030	#10-32 HEX NUT ZP.ipt
4	A/R	1133614	#10 SPLIT LOCK WASHER Z
3	A/R	800048	#10-32 x 1/2 PAN HD SCR ZP
2	A/R	9434T13	1/4" ROUTING CLAMP 1 MTG POINT
1	1	23745	PULL RING
ITEM	QTY	PART NO	DESCRIPTION



THE PEELLE COMPANY

FREIGHT DOORS | CAR GATES | CAR ENCLOSURES
TECHNICAL SUPPORT 1-800-787-5020 ext 275

4

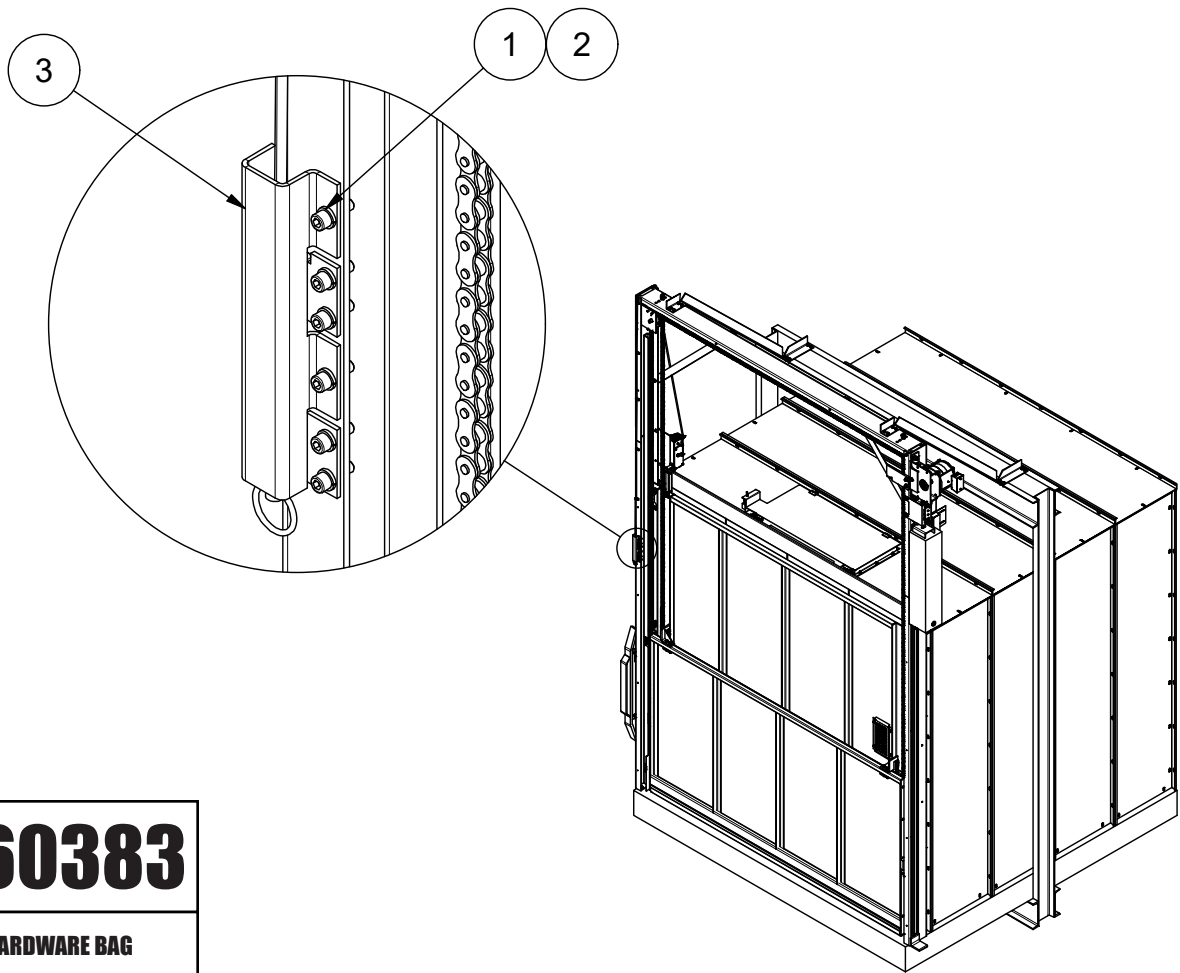
Guide No. 263-EN

GATE LOCK - KRONENBURG

Date: Nov 29 / 2021

5. PROTECTION COVER

770071-47



060383
HARDWARE BAG

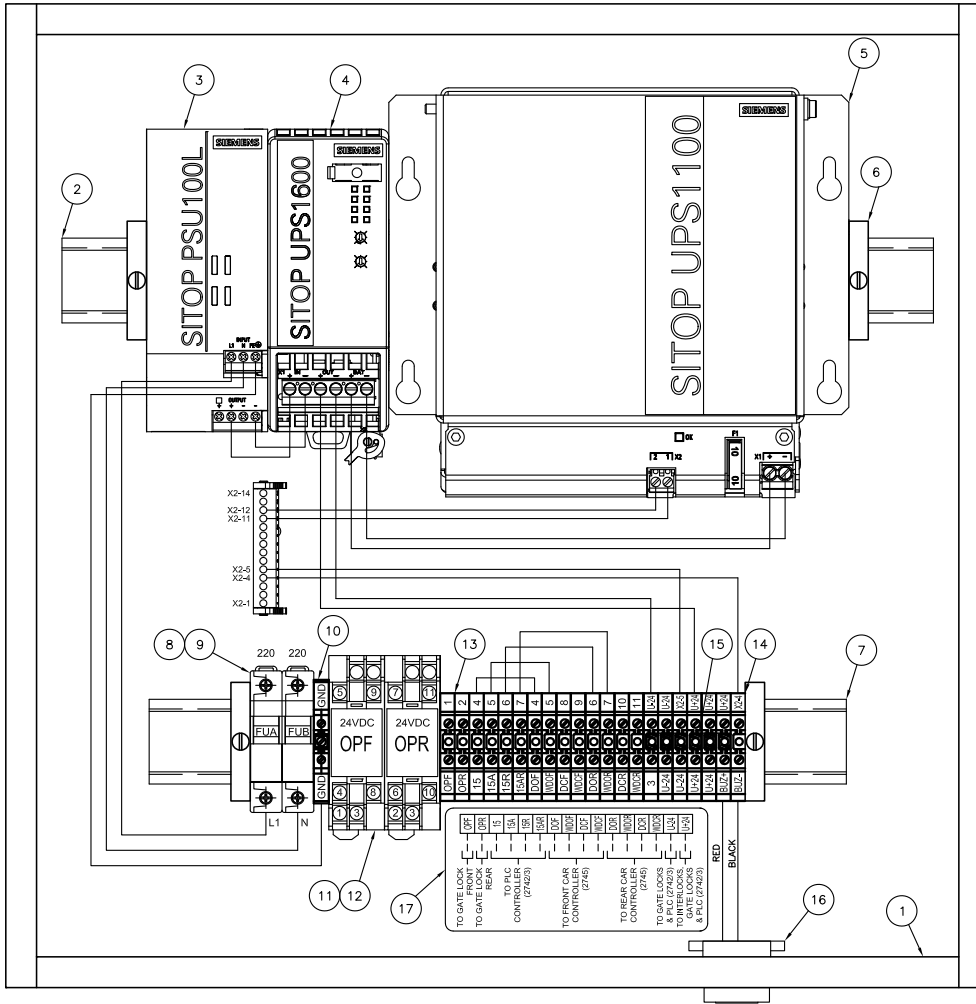
ITEM	QTY	PART NO	DESCRIPTION
3	1	237616	COVER
2	2	1123203	1/4-20 x 3/4 SOCKET CAP SCREW ZP
1	2	1133618	1/4 MEDIUM SPLIT LOCK WASHER Z



THE PELLE COMPANY
FREIGHT DOORS | CAR GATES | CAR ENCLOSURES
TECHNICAL SUPPORT 1-800-787-5020 ext 275

6. POWER SUPPLY CONTROLLER (274440)

- When using PLC Controller mount inside machine room
- When using wireless controller mount on car top



18	44	274183	TERMINAL TAGS
17	1	274444	274440 WIRING LABEL
16	1	270023	24VDC WARNING BUZZER
15	2		3 TERMINAL JUMPER
14	1	274182	TERMINAL BLOCK END PLATE
13	21	274161	TERMINAL BLOCK
12	2	274266	2-POLE RELAY - 24VDC
11	2	274168	RELAY SOCKET
10	1	274162	TERMINAL BLOCK GROUND
9	2	274261	8 AMP FUSE
8	1	274344	FUSE HOLDER
7	1	274176	DIN RAIL
6	4	274381	TERMINAL BLOCK END CLAMP
5	1	274442	BATTERY MODULE 24VDC 3.2AH
4	1	274441	10A UNINTERRUPTIBLE POWER SUPPLY
3	1	274443	24VDC POWER SUPPLY 5A
2	1	274176	DIN RAIL
1	1	270016	16" x 16" x 6" JUNCTION BOX
ITEM	QTY	PRT/MAT	DESCRIPTION



THE PELLE COMPANY

FREIGHT DOORS | CAR GATES | CAR ENCLOSURES
TECHNICAL SUPPORT 1-800-787-5020 ext 275

6

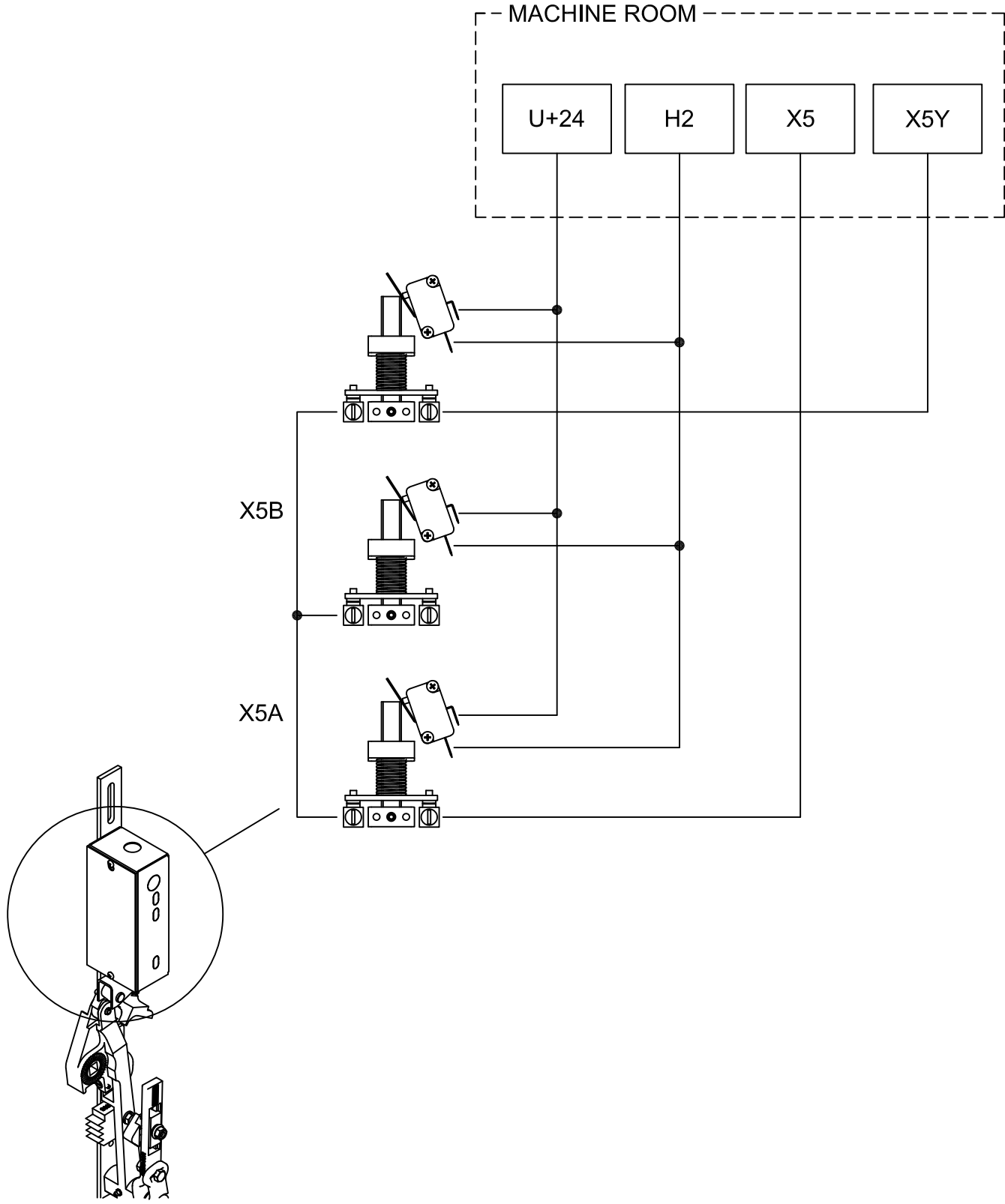
Guide No. 263-EN

GATE LOCK - KRONENBURG

Date: Nov 29 / 2021

7. LANDING DOOR INTERLOCK CONNECTIONS

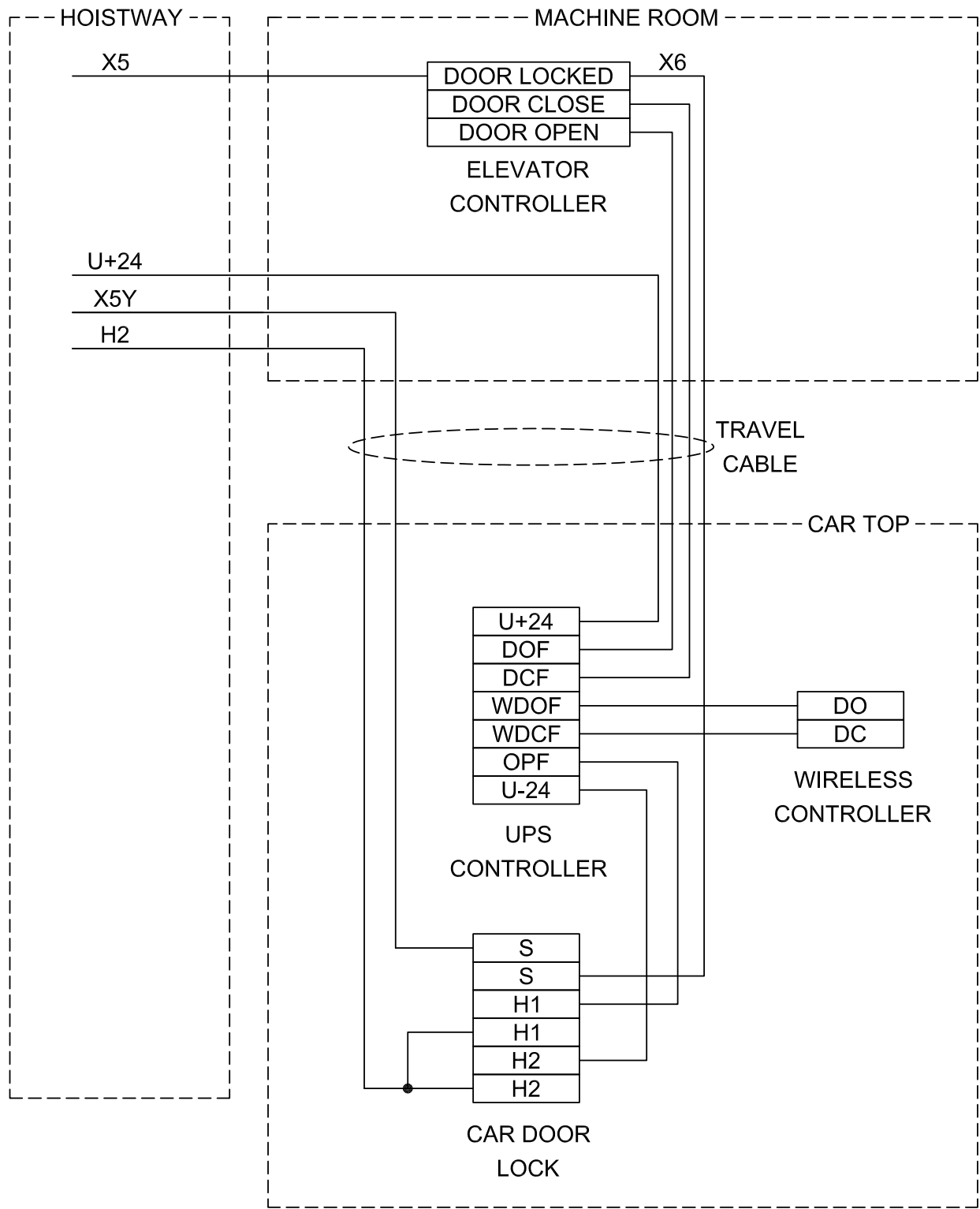
➤ (3 floors shown)



THE PEELLE COMPANY
FREIGHT DOORS | CAR GATES | CAR ENCLOSURES
TECHNICAL SUPPORT 1-800-787-5020 ext 275

8. WIRELESS CONTROLLER (NO BRIDGE)

► VMI, MCE, GAL, SMARTRISE-WFDC, OTIS, EC

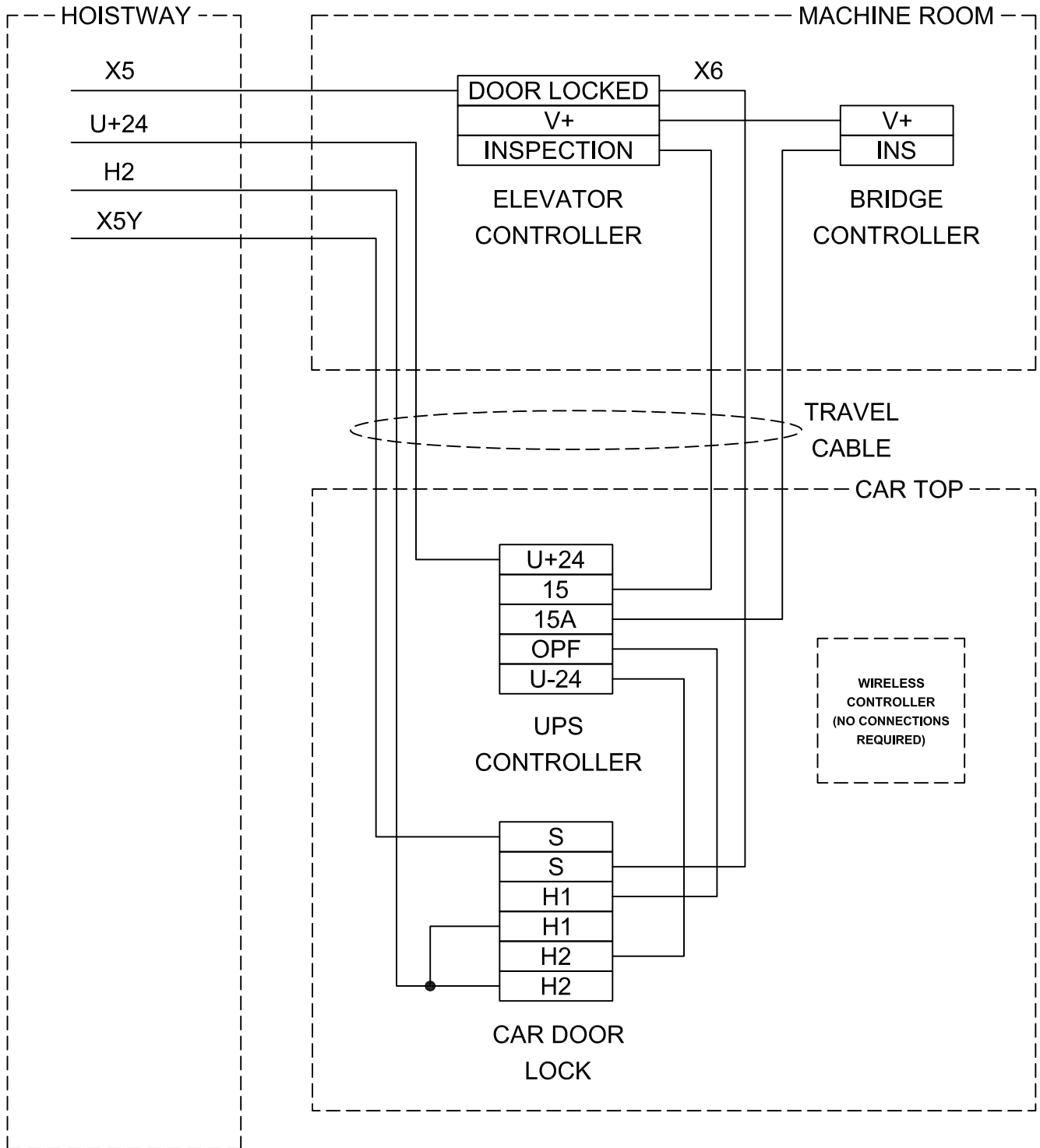


THE PEELLE COMPANY

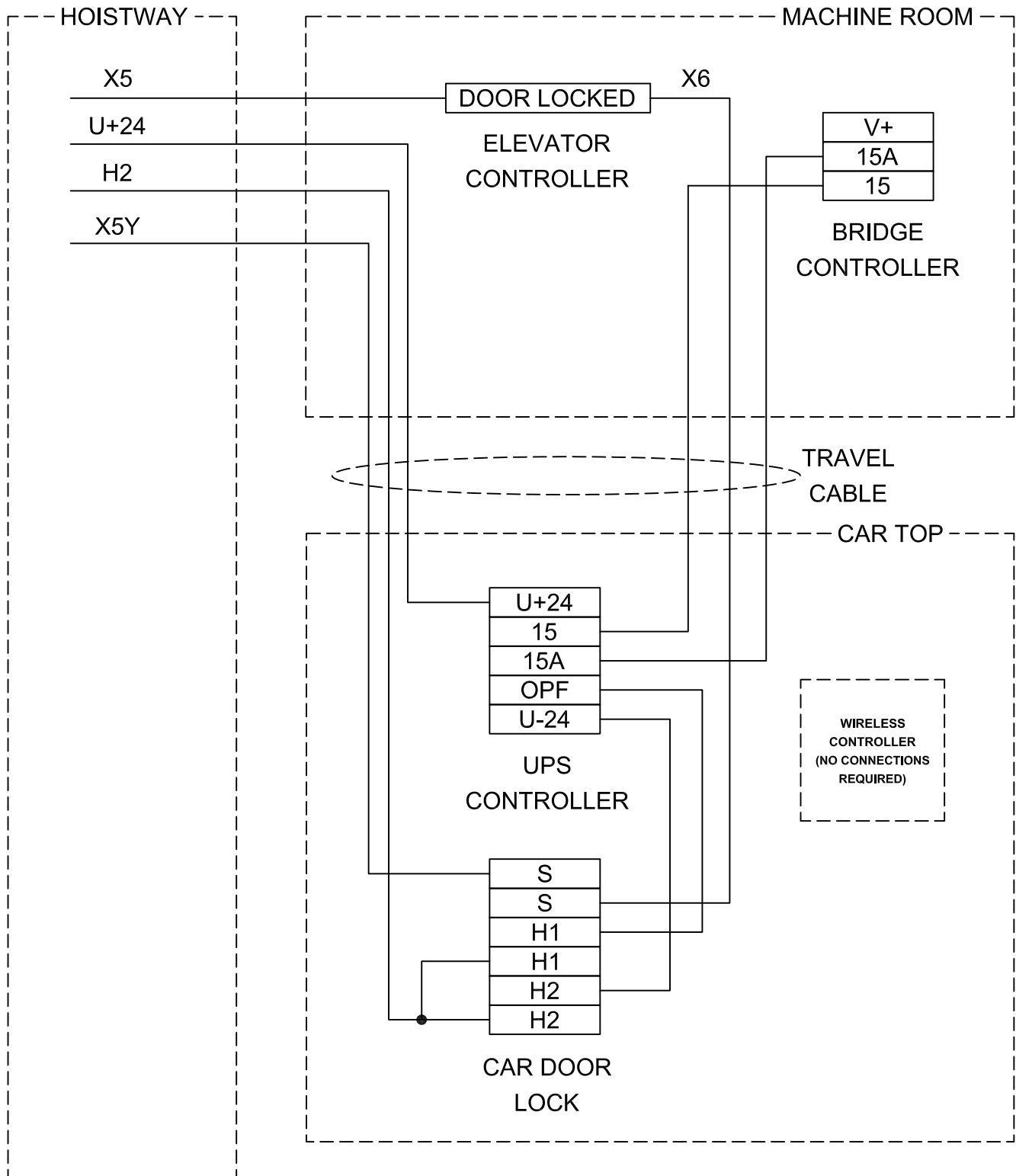
FREIGHT DOORS | CAR GATES | CAR ENCLOSURES

TECHNICAL SUPPORT 1-800-787-5020 ext 275

9. WIRELESS CONTROLLER & BRIDGE LAYOUT (KONE)

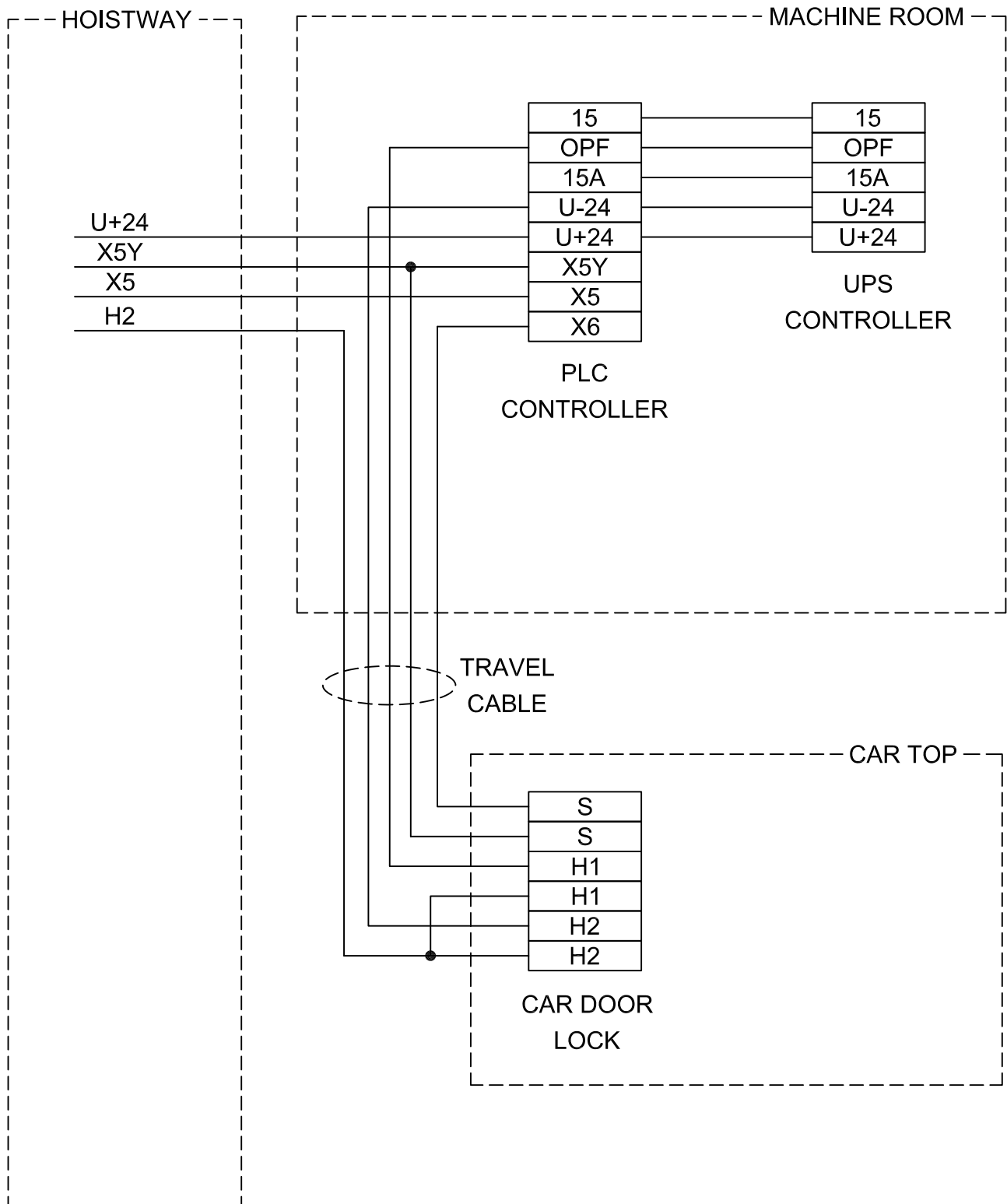


10. WIRELESS CONTROLLER & BRIDGE LAYOUT (TKE)



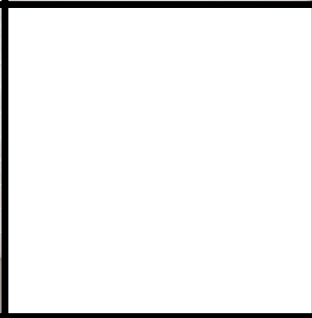
11. PLC CONTROLLER LAYOUT

➤ All elevator controllers including SMARTRISE-PLC



THE PEELLE COMPANY

FREIGHT DOORS | CAR GATES | CAR ENCLOSURES
TECHNICAL SUPPORT 1-800-787-5020 ext 275



THE PEELLE COMPANY

FREIGHT DOORS | CAR GATES | CAR ENCLOSURES
TECHNICAL SUPPORT 1-800-787-5020 ext 275

Guide No. 263-EN

GATE LOCK - KRONENBURG

Date: Nov 29 / 2021