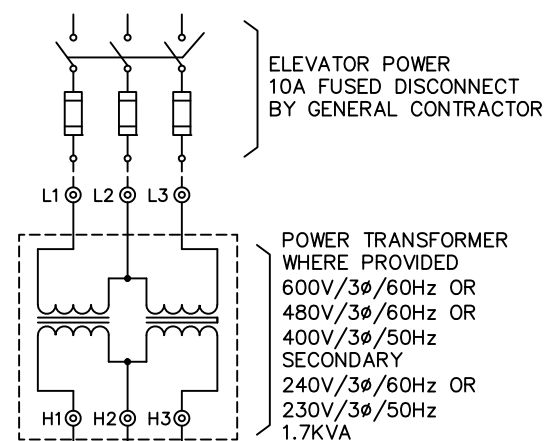


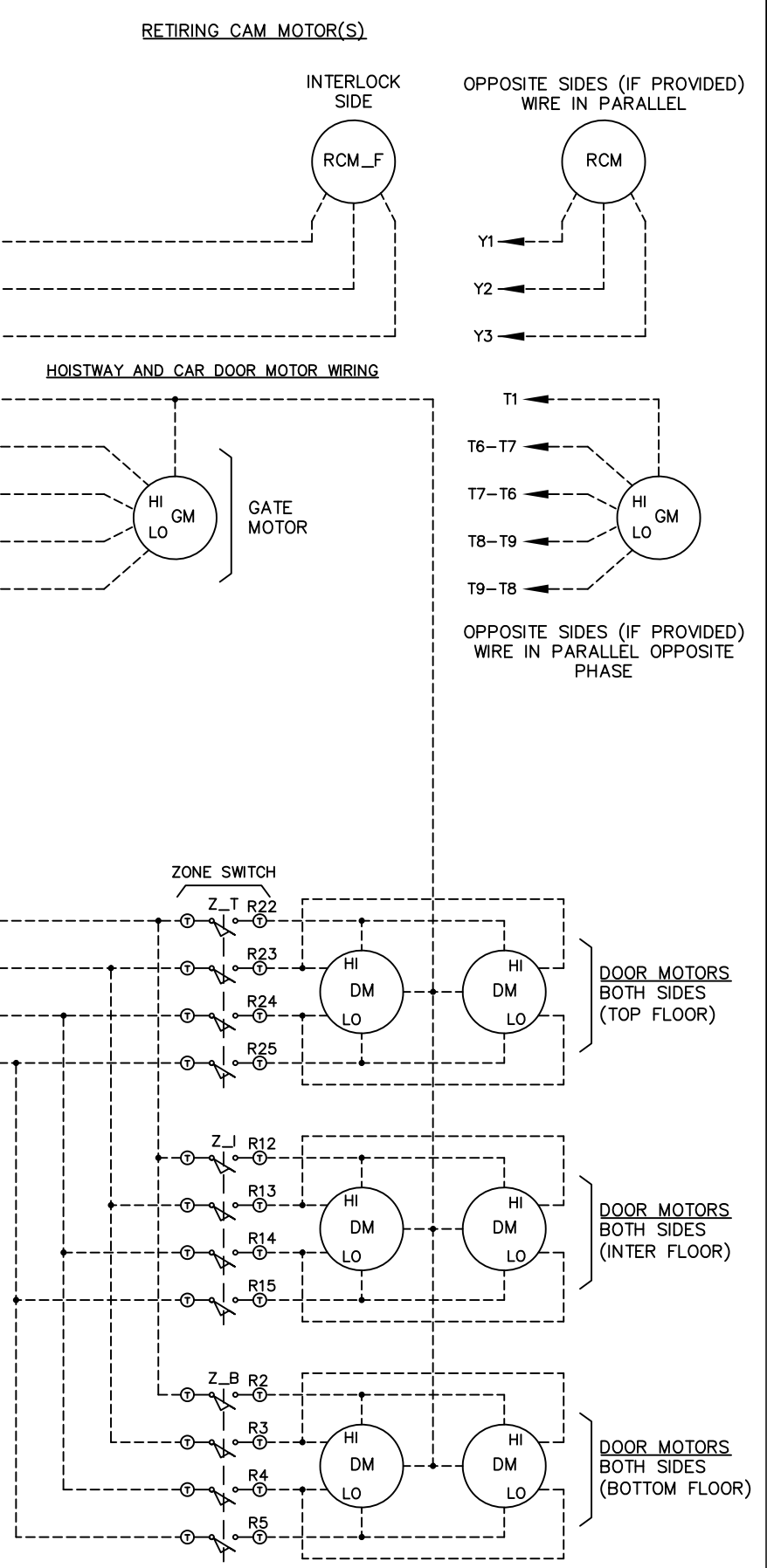
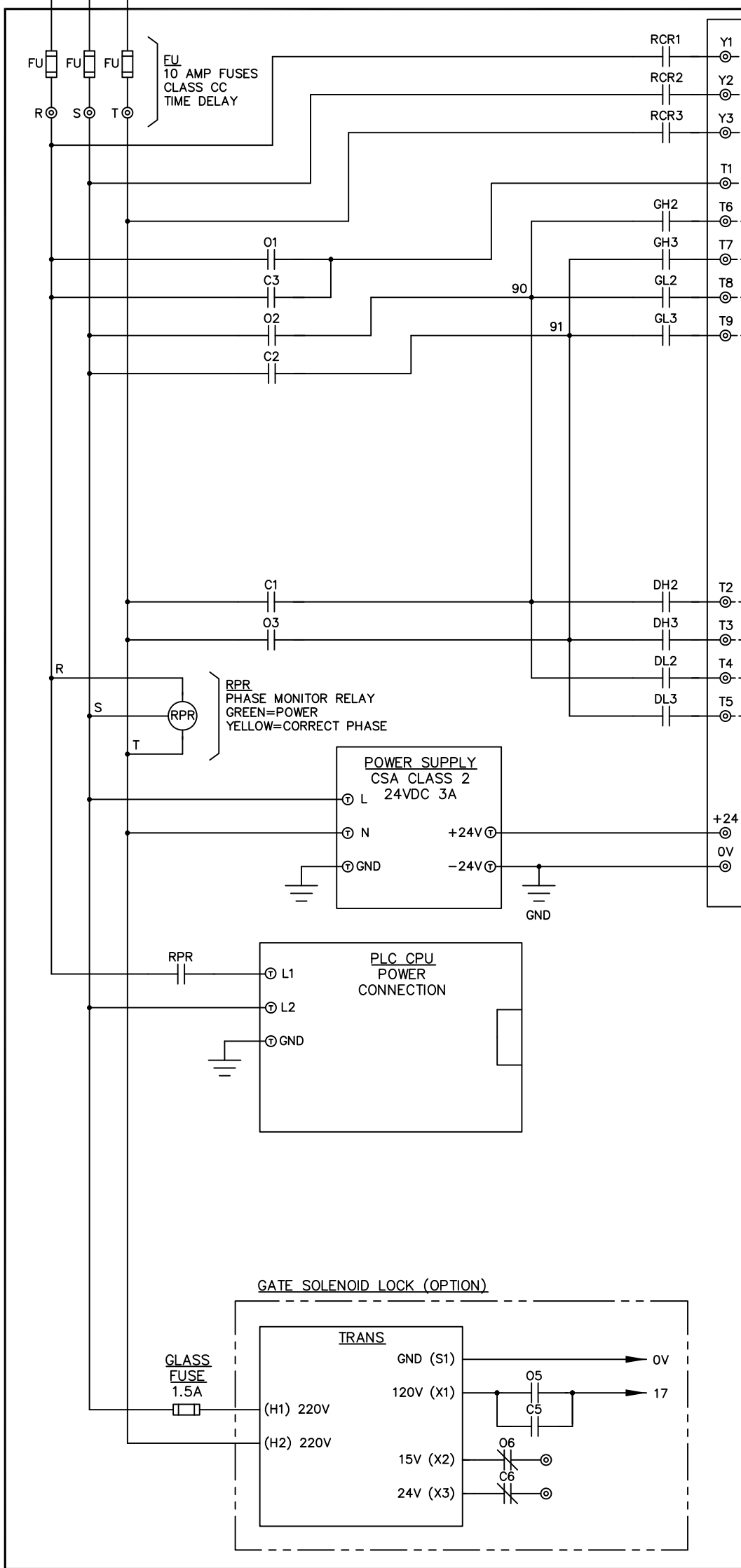
NO	DATE	REVISION	BY
----	------	----------	----



DISCONNECT MEANS
 A MEANS TO DISCONNECT THE DOOR CONTROLLER IS GENERALLY REQUIRED AS PART OF THE LOCAL ELECTRICAL CODE. A DISCONNECT SWITCH WITH (3)10AMP FUSES SHOULD BE PROVIDED BY THE GENERAL CONTRACTOR.

NOTE:
 WHERE PROVIDED, AUTOMATIC DISCONNECT BY SPRINKLER ACTIVATION SHOULD ALSO DISCONNECT THE DOOR CONTROLLER.

MOTOR PROTECTION
 MOTOR OVERLOAD PROTECTION IS NOT REQUIRED WHEN THE CONTROLLER IS USED AS PART OF THE OVERALL PELLEE DOOR SYSTEM, UTILIZING PELLEE CSA CERTIFIED DOOR, GATE AND RETIRING CAM MOTORS.



- NOTES:**
- EXTERNAL WIRE -----
 - _____ INTERNAL WIRE _____
 - 1. ALL LIMIT SWITCHES AND CONTACTS SHOWN WITH NO ACTION APPLIED
 - 2. ⊙ TERMINAL CONNECTION ON DOOR CONTROLLER
 - 3. ⊙ COMPONENT TERMINAL CONNECTIONS
 - 4. ⊗ I/O TERMINAL CONNECTION ON PLC
 - 5. CAR AND HALL PUSH BUTTONS BY OTHERS

ROUTING	
QTY	DEPARTMENT
	MANUFACTURED PARTS
	SPECIAL PARTS
	DOORS / GATES / CABS
	RAILS
1	ELECTRICAL
	STOCKROOM
	FINAL ASSEMBLY
	SHIPPING
1	SHOP FIELD FOLDER
1	CUSTOMER F&D

PEELLE CONTROLLER MANUFACTURED FOR NEMA 1 RATED MACHINE ROOM.

Freight Elevator Doors Since 1905

The Peelle Company

We still service equipment we built 50 years ago

TITLE	REV	SCALE	SHT
DOOR CONTROLLER	-	N/A	1 OF 5
274200D PLC 2-SPEED SINGLE LINE - STD AND SLA			
DATE	DRAWING		
DRAWN BY	SD		

SLA OR STD OPERATION – DESCRIPTION

SEE ELEVATOR CONTROLLER DRAWINGS AND FOLLOW THE CORRECT PANEL TO PANEL CONNECTIONS FOR EITHER SLA OR STD OPERATION CONTROL INTERFACE. SET OR REMOVE JUMPER ±24-SLA AS REQUIRED.

NOTE: CONTROLLER CAN NOT OPERATE IN BOTH SLA AND STD MODES.

SLA OPERATION

SLA OPERATION IS LIKE A PASSENGER DOOR CONTROLLER WITH RETIRING CAM. DOOR OPEN AND CLOSE BUTTONS ARE NOT WIRED TO THE PEELE CONTROLLER. LIGHT CURTAIN REVERSAL, FIRE SERVICE OPERATION, AND AUTOMATIC CLOSING ARE ALL HANDLED BY THE ELEVATOR CONTROLLER. DOOR LIMITS AND SEQUENCE OPENING AND CLOSING IS DONE BY THE DOOR CONTROLLER USING THE SLA OPERATION CONTROL INTERFACE INITIATIONS.

STD OPERATION

STD OPERATION IS THE TRADITIONAL STAND-ALONE FREIGHT DOOR CONTROL SUPPLIED BY PEELE. ALL DOOR DEVICES ARE WIRED DIRECTLY TO THE DOOR CONTROLLER. DOOR OPEN AND CLOSE BUTTONS, LIGHT CURTAIN REVERSAL, FIRE SERVICE OPERATION, AUTOMATIC CLOSING, AND DOOR LIMITS FOR SEQUENCE OPEN AND CLOSE ARE ALL HANDLED BY THE DOOR CONTROLLER USING THE STD OPERATION CONTROL INTERFACE INITIATIONS.

[SQUARE BRACKETS] = PLC OR RELAY INDICATOR
HI = LIGHT ON, LO = LIGHT OFF

SLA OPERATION – CONTROL INTERFACE

±24-SLA [1CH 00] – (ADD JUMPER)
SLA OPERATION SETTING
HI = SLA MODE

±24-DO [0CH 03]
DOOR OPEN INITIATION
HI (CONSTANT) = DOOR OPEN

±24-DC [0CH 09]
DOOR CLOSE INITIATION
HI (CONSTANT) = DOOR CLOSE

±24-DCM [0CH 10]
SIMULTANEOUS OPERATION DOOR AND GATE OPERATION
HI (CONSTANT) = SIMULTANEOUS

±24-SE [1CH 09]
GATE CLOSE SLOW SPEED (NUDGING)
HI = SLOW SPEED, LO = NORMAL SPEED

±24-RC [1CH 11]
RETIRING CAM INITIATION
HI = LIFT CAM, LO = WHENEVER CAR IS STOPPED

±24-BUZ [NO INDICATOR]
DOOR CLOSE WARNING BUZZER
HI = BUZZER ON

±24-LCT [NO INDICATOR]
LIGHT CURTAIN TEST
HI = NORMAL, LO (MOMENTARY) = INITIATE TEST (ELEVATOR CONTROL TO REGISTER CHANGE OF STATE OF RD1 AND RD2 TO COMPLETE TEST)

STD OPERATION – CONTROL INTERFACE

±24-SLA [1CH 00] – (REMOVE JUMPER)
STD OPERATION SETTING
NO JUMPER +24 TO SLA
LO = STD MODE

±24-DLC [1CH 06] – (ADD JUMPER WHERE REQUIRED)
DUAL LIGHT CURTAINS WITH TEST INPUT FOR ASME A17.1-2008 TO 2010 CODE REQUIREMENTS
SET JUMPER +24 TO DLC
REMOVE JUMPER +24 TO RD2
INPUT HI – INDICATOR ON

±24-NYC [1CH 07] – (ADD JUMPER WHERE REQUIRED)
NEW YORK CITY RS-18 FIRE SERVICE REQUIREMENTS
SET JUMPER +24 TO NYC
INPUT HI – INDICATOR ON

ZNS-INS [0CH 00]
(REMOVE PURPLE JUMPERS)
INSPECTION CIRCUIT CUT-OFF
HI = DOOR OPERATION, LO = DOORS STOP

±24-DO [0CH 03]
DOOR OPEN, AUTO-OPEN INITIATION
HI (MOMENTARY) = DOOR OPEN

±24-DCM [0CH 10]
HI (MOMENTARY) = DOOR CLOSE (EXCEPT FIRE SERVICE, CONSTANT PRESSURE REQUIRED)

±24-X11 [1CH 01]
PHASE 1 EMERGENCY RECALL OPERATION
HI = PHASE 1 IS "ON", LO = STD OPERATION

±24-X12 [1CH 02]
HOLD OPEN INITIATION FOR AUTO-CLOSE AND PHASE 1 DESIGNATED/ALTERNATE LANDING
HI = HOLD OPEN

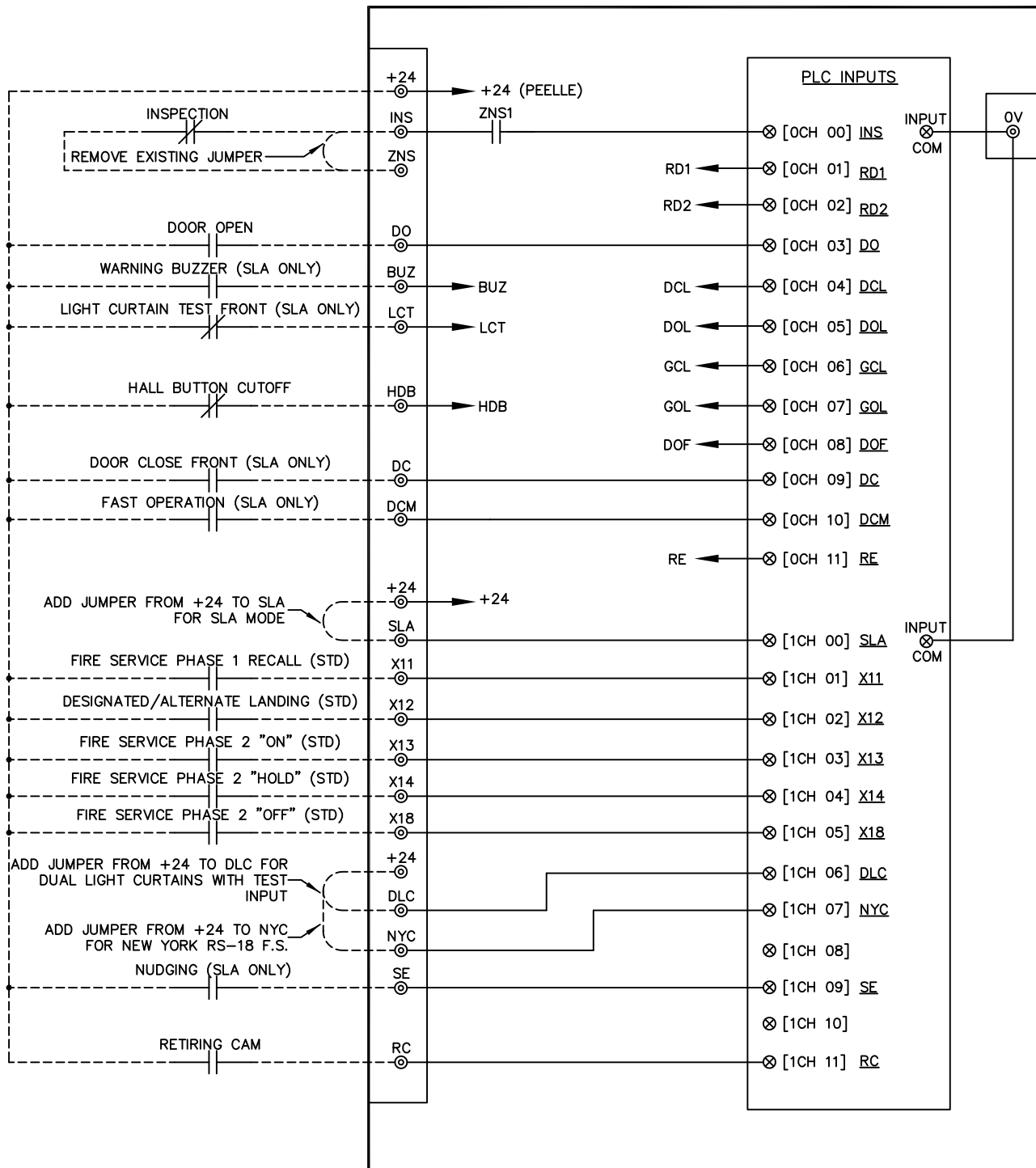
±24-X13 [1CH 03]
PHASE 2 EMERGENCY IN-CAR OPERATOR "ON"
HI = PHASE 2 "ON"

±24-X14 [1CH 04]
PHASE 2 EMERGENCY IN-CAR OPERATION "HOLD"
HI = PHASE 2 "HOLD"

±24-X18 [1CH 05]
PHASE 2 EMERGENCY IN-CAR OPERATION "OFF"
HI = PHASE 2 "OFF", LO = (AFTER RESET)

±24-RC [1CH 11]
RETIRING CAM INITIATION
HI = LIFT CAM, LO = WHENEVER CAR IS STOPPED

±24-HDB – (REMOVE PURPLE JUMPER WHEN USED)
HALL BUTTON CUT-OFF INITIATION



- NOTES:**
- EXTERNAL WIRE -----
 - _____ INTERNAL WIRE _____
 - 1. ALL LIMIT SWITCHES AND CONTACTS SHOWN WITH NO ACTION APPLIED
 - 2. ⊙ TERMINAL CONNECTION ON DOOR CONTROLLER
 - 3. ⊕ COMPONENT TERMINAL CONNECTIONS
 - 4. ⊗ I/O TERMINAL CONNECTION ON PLC
 - 5. CAR AND HALL PUSH BUTTONS BY OTHERS

ROUTING	
QTY	DEPARTMENT
	MANUFACTURED PARTS
	SPECIAL PARTS
	DOORS / GATES / CABS
	RAILS
1	ELECTRICAL
	STOCKROOM
	FINAL ASSEMBLY
	SHIPPING
1	SHOP FIELD FOLDER
1	CUSTOMER F&D

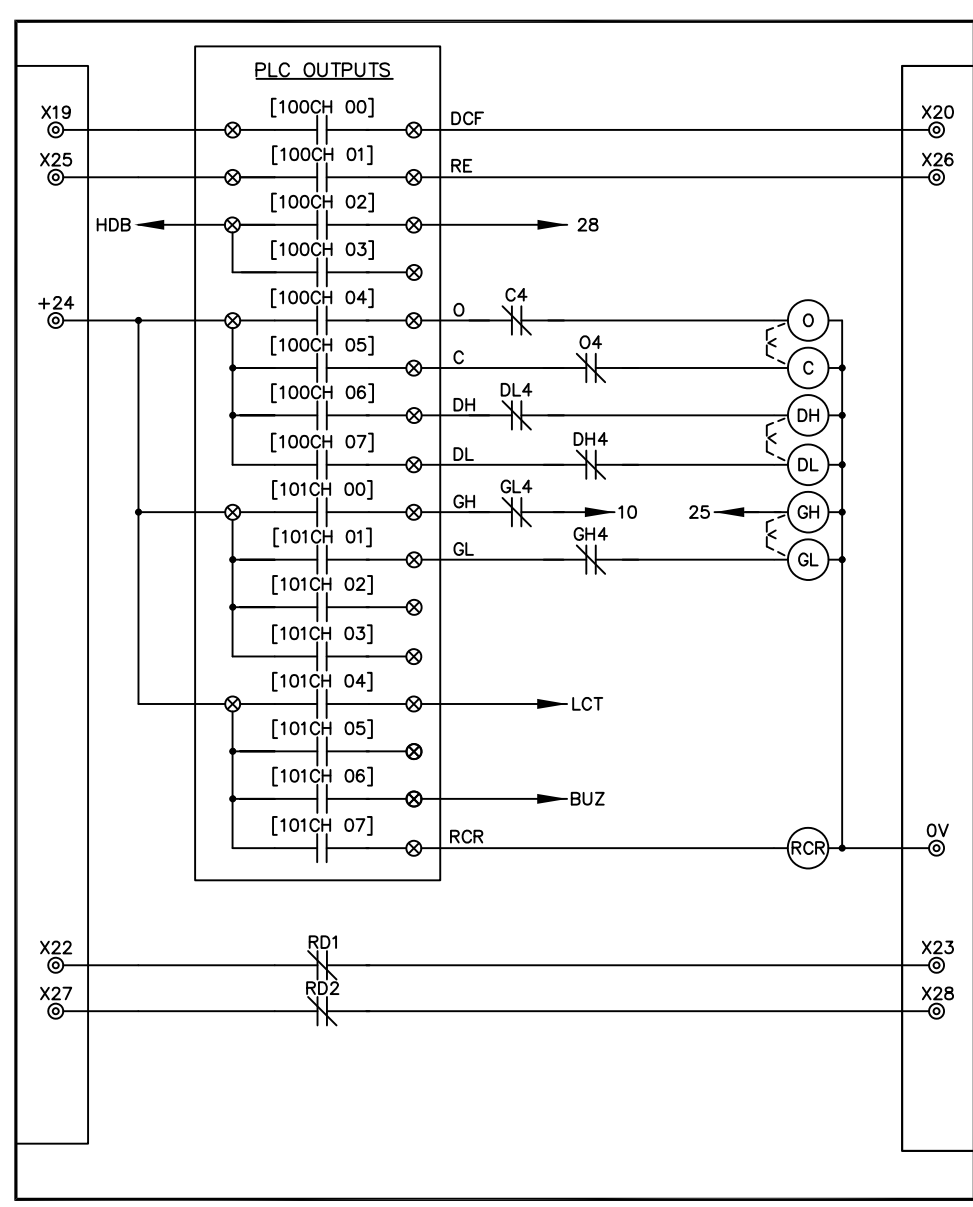
PEELLE CONTROLLER MANUFACTURED FOR NEMA 1 RATED MACHINE ROOM.

Freight Elevator Doors Since 1905

PEELLE The Peelle Company

We still service equipment we built 50 years ago

TITLE	REV	SCALE	SHT
DOOR CONTROLLER	-	N/A	2 OF 5
274200D PLC 2-SPEED SINGLE LINE – STD AND SLA			
DATE	DRAWING		
DRAWN BY	SD		



PLC OUTPUTS – INTERFACE OUTPUTS

DCF [100CH 00]
DOOR CLOSE FINAL SIGNAL
HI = DOOR CLOSED
X19–X20 CLOSURES WHEN DOORS ARE CLOSED

RE [100CH 01]
HI = REVERSING EDGE PRESSED
X25–X26 CLOSURES WHEN EDGE IS PRESSED

28 [100CH 02]
HI = HALL DOOR BUTTONS ACTIVE
LO = HALL BUTTONS DISABLED IN PHASE 2

O [100CH 04]
HI = OPEN DIRECTION CONTACTOR

C [100CH 05]
HI = CLOSE DIRECTION CONTACTOR

DH [100CH 06]
HI = DOOR HIGH SPEED CONTACTOR

DL [100CH 07]
HI = DOOR LOW SPEED CONTACTOR

GH [101CH 00]
HI = GATE HIGH SPEED CONTACTOR

GL [101CH 01]
HI = GATE LOW SPEED CONTACTOR

LCT [101CH 04]
HI = LIGHT CURTAIN ACTIVE
HI–LO–HI = TEST SEQUENCE STARTED

BUZ [101CH 06]
CLOSE WARNING BUZZER
HI = 5 SECONDS BEFORE AUTO–CLOSE AND DURING ALL CLOSING OPERATION

RCR [101CH 07]
HI = RETIRING CAM CONTACTOR

RD1 [RELAY]
LIGHT CURTAIN #1
X22–X23 CONTACT CLOSURES WHEN BEAMS ARE BLOCKED – RELAY ON WHEN BEAMS ARE CLEAR

RD2 [RELAY]
LIGHT CURTAIN #2
X27–X28 CONTACT CLOSURES WHEN BEAMS ARE BLOCKED – RELAY ON WHEN BEAMS ARE CLEAR

HOISTWAY DOOR AND GATE CONTROL DEVICE INPUTS

+24–15 [ZNS RELAY]
AT LANDING ZONE INPUT
HI = DOOR OPERATION, LO = DOORS STOP

+24–35–ZNS [0CH 00]
CHECK FOR INPUT BEFORE INITIAL DOOR OPERATION !!!
UNLOCKING DEVICE SWITCH AND DOOR STOP
HI = DOOR OPERATION, LO = DOORS STOP

+24–RD1 [0CH 01]
LIGHT CURTAIN #1 LOCATED OUTSIDE CAR GATE
HI = HI–NOT OBSTRUCTED, LO = OBSTRUCTION

+24–RD2 [0CH 02]
REMOVE JUMPER IF DUAL LIGHT CURTAIN IS USED
LIGHT CURTAIN #2 LOCATED INSIDE CAR GATE
HI = HI–NOT OBSTRUCTED, LO = OBSTRUCTION

+24–DCL [0CH 04]
DOOR CLOSE SLOW DOWN
HI = HI–SPEED, LO = SLOW DOWN

+24–DOL [0CH 05]
DOOR OPEN SLOW DOWN
HI = HI–SPEED, LO = SLOW DOWN

+24–GCL [0CH 06]
GATE CLOSE SLOW DOWN
HI = HI–SPEED, LO = SLOW DOWN

+24–GOL [0CH 07]
GATE OPEN SLOW DOWN
HI = HI–SPEED, LO = SLOW DOWN

+24–DOF [0CH 08]
DOOR OPEN FINAL (AUTOMATIC STAY OPEN) – FRONT AND REAR
HI = FULL OPEN, LO = RE–OPEN IF DRIFT CLOSE

+24–RE [0CH 11]
REVERSING EDGE (STD OPERATION ONLY)
HI = HI–OBSTRUCTED, LO = NO OBSTRUCTION

USER SETTINGS

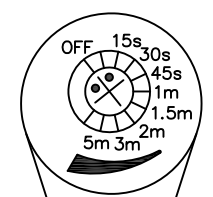
!!!BE VERY CAREFUL WHEN ADJUSTING THE POTS!!!
NOTE: USE A SMALL SCREW DRIVER AND TAKE CARE NOT TO DAMAGE POTENTIOMETERS.

OPEN & CLOSE DIRECTION TIME–OUT (POT#0)
DOOR FINAL POSITION MOTOR SHUT–OFF
POT #0 = FINAL TIME–OUT SETTING
Note: Factory set to shut off motors 3 seconds after both door and gate go into slow–down. Should be adjusted to give enough time to open and close fully with an additional 1 second to stall.

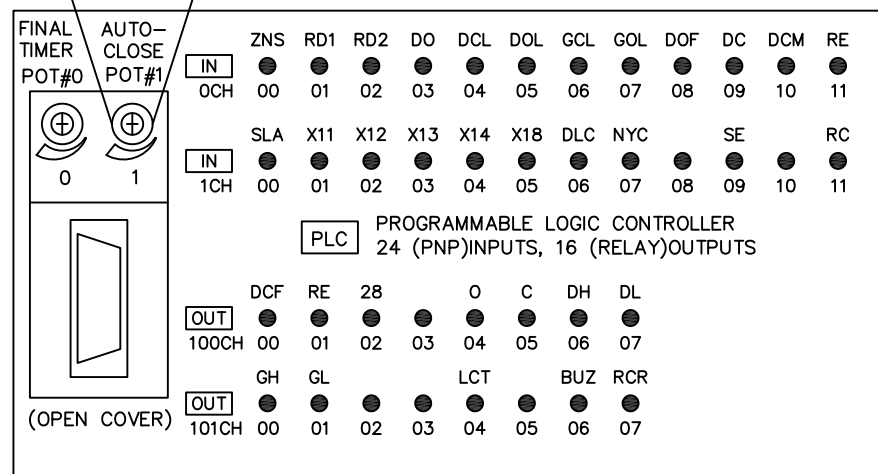
AUTO–CLOSE (POT#1)
STD OPERATION ONLY!

- SET AUTOMATIC TIME CLOSING:
- TURN POT#1 FULLY COUNTER–CLOCKWISE = OFF (DEFAULT, NO AUTO–CLOSE)
 - TURN POT#1 FULLY CLOCKWISE = 5 minutes (MAXIMUM TIME)
 - FROM FULLY COUNTER–CLOCKWISE POSITION: TURN POT#1 SLOWLY UNTIL BUZ Output [101CH 06] FLASHES ONCE (2ND INCREMENT). AT THIS POSITION TIMER IS SET AT 15 SECONDS.
 - SLOWLY INCREMENT POT#1 TO DESIRED POSITION FOR AUTO–CLOSE TIME. WITH EACH INCREMENT BUZ OUTPUT [101CH 06] FLASHES ONCE.

- REMOVING AUTOMATIC TIME CLOSING:
- TURN POT#1 FULLY COUNTER–CLOCKWISE. BUZ Output [101CH 06] FLASHES TWICE. AUTO–CLOSE IS TURNED OFF.



AUTO–CLOSE (POT#1)
SLOWLY INCREMENT POT#1 TO DESIRED POSITION FOR AUTO–CLOSE TIME. WITH EACH INCREMENT BUZ OUTPUT [101CH 6] FLASHES ONCE. STD OPERATION ONLY. SEE ELEVATOR CONTROL FOR SLA AUTO–CLOSE.



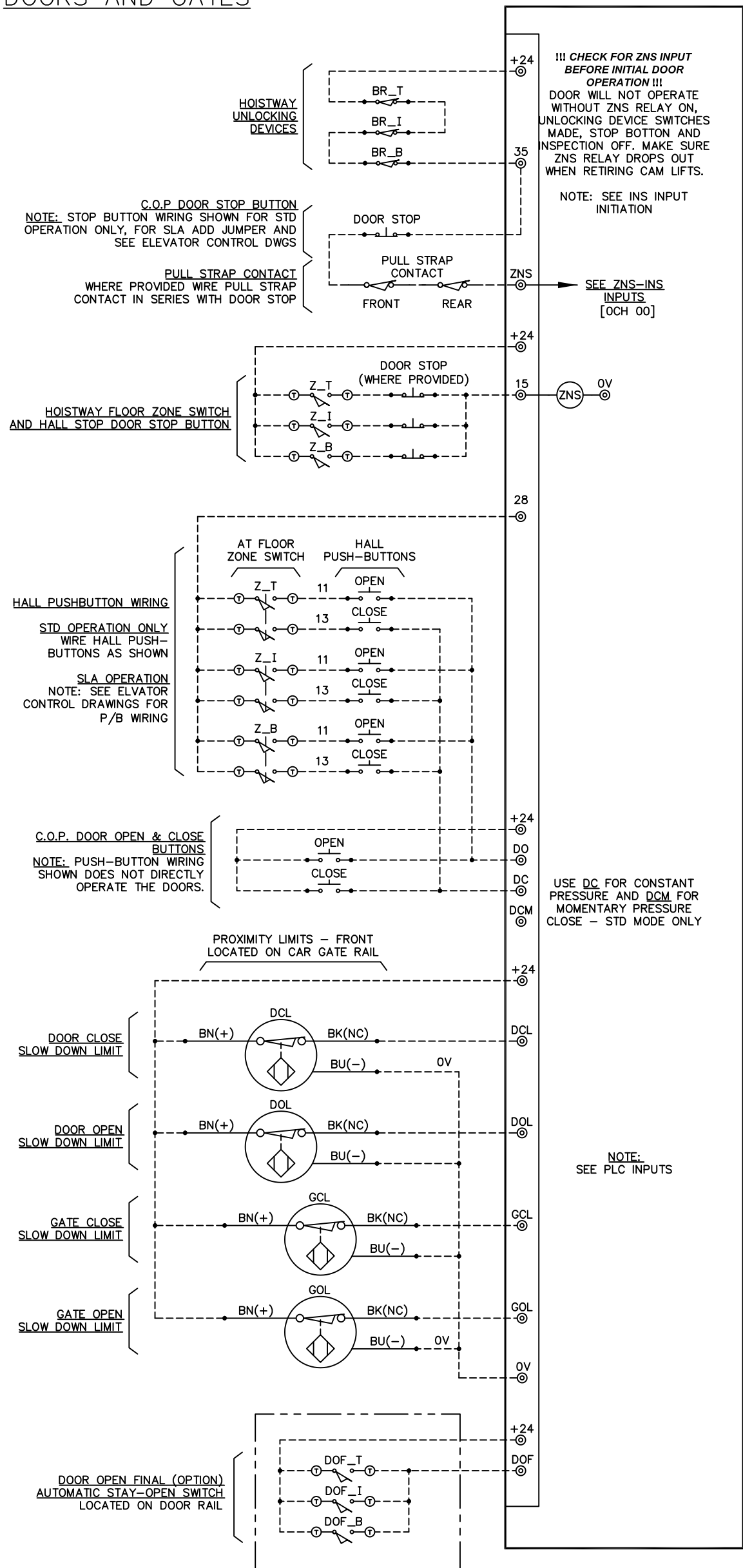
NOTES:

----- EXTERNAL WIRE -----
_____ INTERNAL WIRE _____

1. ALL LIMIT SWITCHES AND CONTACTS SHOWN WITH NO ACTION APPLIED
2. ⊙ TERMINAL CONNECTION ON DOOR CONTROLLER
3. ⊙ COMPONENT TERMINAL CONNECTIONS
4. ⊗ I/O TERMINAL CONNECTION ON PLC
5. CAR AND HALL PUSH BUTTONS BY OTHERS

ROUTING		PEELLE CONTROLLER MANUFACTURED FOR NEMA 1 RATED MACHINE ROOM.		
QTY	DEPARTMENT	Freight Elevator Doors Since 1905		
	MANUFACTURED PARTS	The Peelle Company <small>We still service equipment we built 50 years ago</small>		
	SPECIAL PARTS			
	DOORS / GATES / CABS	TITLE	REV	SCALE
1	ELECTRICAL	DOOR CONTROLLER	–	N/A
	STOCKROOM	274200D PLC 2–SPEED SINGLE LINE – STD AND SLA		3 OF 5
	FINAL ASSEMBLY	DATE	DRAWING	
1	SHOP FIELD FOLDER	DRAWN BY	SD	
1	CUSTOMER F&D			

DOORS AND GATES



- NOTES:**
- EXTERNAL WIRE -----
 - _____ INTERNAL WIRE _____
 - 1. ALL LIMIT SWITCHES AND CONTACTS SHOWN WITH NO ACTION APPLIED
 - 2. ⊙ TERMINAL CONNECTION ON DOOR CONTROLLER
 - 3. ⊕ COMPONENT TERMINAL CONNECTIONS
 - 4. ⊗ I/O TERMINAL CONNECTION ON PLC
 - 5. CAR AND HALL PUSH BUTTONS BY OTHERS

ROUTING	
QTY	DEPARTMENT
	MANUFACTURED PARTS
	SPECIAL PARTS
	DOORS / GATES / CABS
	RAILS
1	ELECTRICAL
	STOCKROOM
	FINAL ASSEMBLY
	SHIPPING
1	SHOP FIELD FOLDER
1	CUSTOMER F&D

PEELLE CONTROLLER MANUFACTURED FOR NEMA 1 RATED MACHINE ROOM.

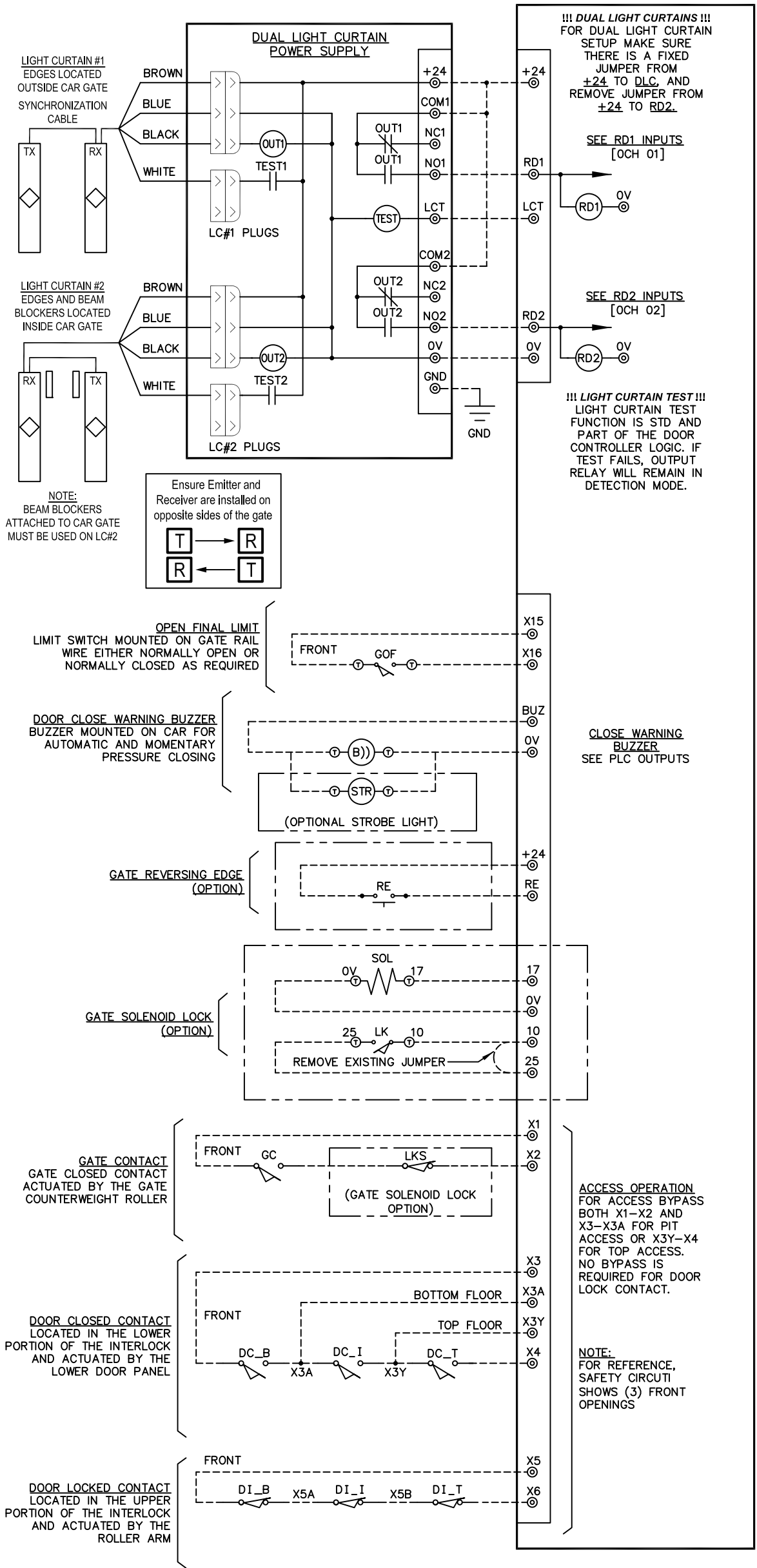
Freight Elevator Doors Since 1905

PEELLE The Peelle Company

We still service equipment we built 50 years ago

TITLE	REV	SCALE	SHT
DOOR CONTROLLER	-	N/A	4 OF 5
274200D PLC 2-SPEED SINGLE LINE - STD AND SLA			
DATE	DRAWING		
DRAWN BY	SD		

FRONT LINE WIRING



- NOTES:
- EXTERNAL WIRE -----
 - _____ INTERNAL WIRE _____
 - 1. ALL LIMIT SWITCHES AND CONTACTS SHOWN WITH NO ACTION APPLIED
 - 2. ⊕ TERMINAL CONNECTION ON DOOR CONTROLLER
 - 3. ⊙ COMPONENT TERMINAL CONNECTIONS
 - 4. ⊗ I/O TERMINAL CONNECTION ON PLC
 - 5. CAR AND HALL PUSH BUTTONS BY OTHERS

ROUTING	
QTY	DEPARTMENT
	MANUFACTURED PARTS
	SPECIAL PARTS
	DOORS / GATES / CABS
	RAILS
1	ELECTRICAL
	STOCKROOM
	FINAL ASSEMBLY
	SHIPPING
1	SHOP FIELD FOLDER
1	CUSTOMER F&D

PEELLE CONTROLLER MANUFACTURED FOR NEMA 1 RATED MACHINE ROOM.

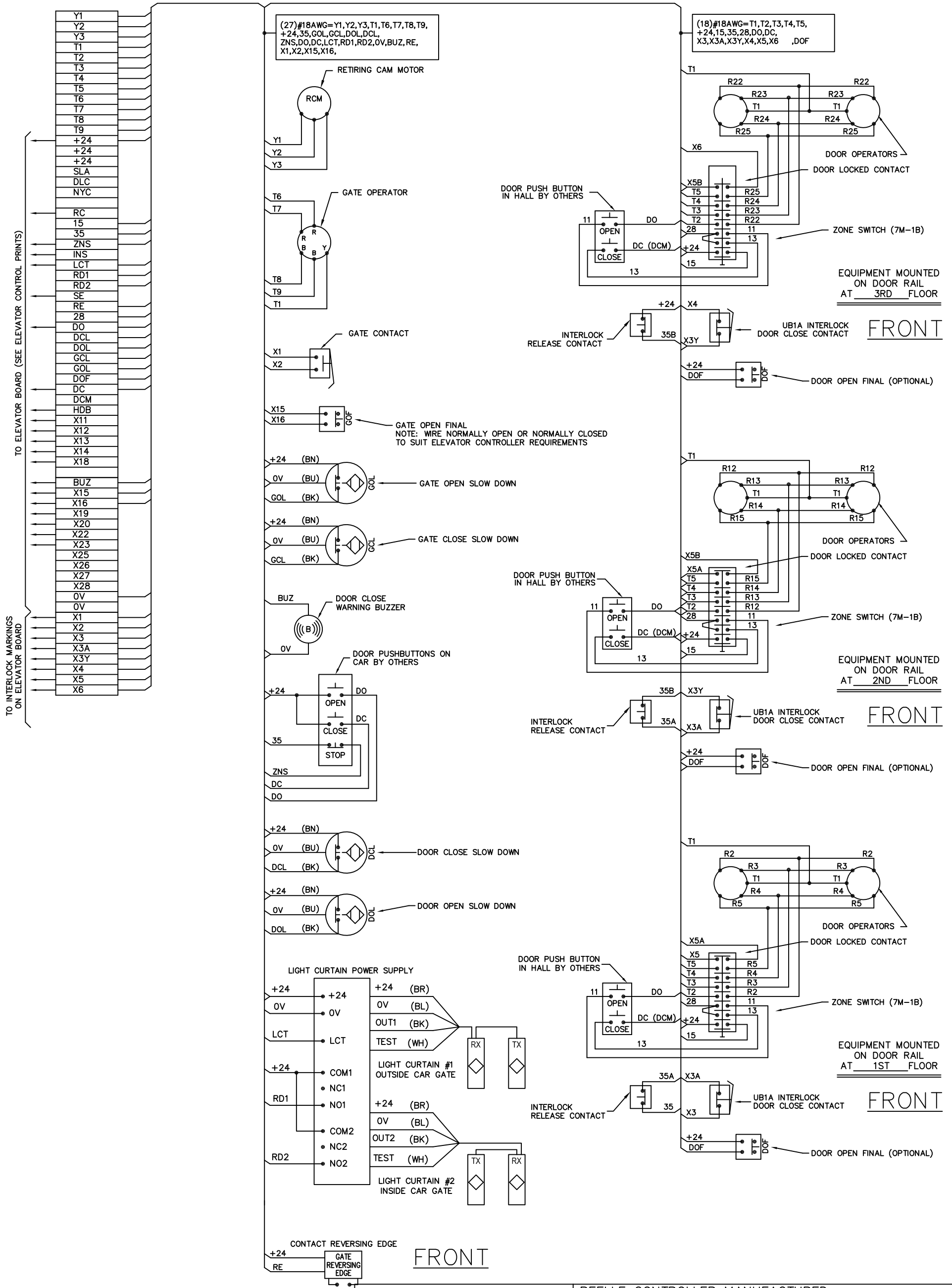
Freight Elevator Doors Since 1905

PEELLE The Peelle Company

We still service equipment we built 50 years ago

TITLE	REV	SCALE	SHT
DOOR CONTROLLER	-	N/A	5 OF 5
274200D PLC 2-SPEED SINGLE LINE - STD AND SLA			
DATE	DRAWING		
DRAWN BY	SD		

274200D CONTROLLER - SINGLE LINE



NOTE:
 STD OPERATION
 WIRE ALL DEVICES AS SHOWN.
 SLA OPERATION
 SEE ELEVATOR PRINTS FOR
 PUSH-BUTTON WIRING. SEE
 ELEVATOR PRINTS FOR PANEL
 TO PANEL CONNECTIONS.

ROUTING	
QTY	DEPARTMENT
	MANUFACTURED PARTS
	SPECIAL PARTS
	DOORS / GATES / CABS
	RAILS
1	ELECTRICAL
	STOCKROOM
	FINAL ASSEMBLY
	SHIPPING
1	SHOP FIELD FOLDER
1	CUSTOMER F&D

PEELLE CONTROLLER MANUFACTURED FOR NEMA 1 RATED MACHINE ROOM.

Freight Elevator Doors Since 1905

The Peelle Company

We still service equipment we built 50 years ago

TITLE	REV	SCALE	SHT
HOISTWAY WIRING	-	N/A	1 OF 1
274200D SINGLE LINE OPENINGS			
DATE	DRAWING		
DRAWN BY	HW		